

BURNER REPLACEMENT INSTRUCTIONS FOR COMPASS, COMPASSDLX, DRL2000 & DRL3500 SERIES

KIT COMPONENTS

Burner, Instruction Sheet

REQUIRED TOOLS AND SUPPLIES

Safety Gloves, Adjustable Wrench, Channel Locks, Pliers, 5/16" Nutdriver, 1/4" Nutdriver or wrench.

TURN OFF THE GAS SUPPLY TO THE APPLIANCE. DISCONNECT ELECTRICAL POWER SUPPLY.

READ ALL THE STEPS BEFORE STARTING THE CONVERSION. INSTALLER NOTICE: THESE INSTRUCTIONS MUST BE LEFT WITH THE APPLIANCE.

When installing gas components use pipe joint compound or Teflon tape on all pipe fittings before installing (Do not use pipe joint compounds on flare fittings).

NOTE: THE FIREPLACE MUST BE OFF AND COLD BEFORE PERFORMING THE GAS CONVERSION.

ALL WARNINGS, PRECAUTIONS AND INSTRUCTIONS IN THE INSTALLATION AND OPERATION MANUAL PROVIDED WITH THE APPLIANCE APPLY TO THESE INSTRUCTIONS.

GENERAL INFORMATION

This kit contains all the necessary components needed to complete the task and to ensure a safe operation.

IMPORTANT CANADA

This burner replacement shall be carried out in accordance with the requirements of the provincial authorities having jurisdiction and in accordance with the requirements of the CAN/CSA B149.1 Installation code.

IMPORTANT LE CANADA SEULEMENT

Cet remplacement du brûleur devra être effectuée conformément aux recommandations des autorités provinciales ayant juridiction et conformément aux exigences du code d'installation CAN/CSA B149.1.

WARNING

This burner replacement kit shall be installed by a qualified service agency in accordance with the manufacturer's instructions and all applicable codes and requirements of the authority having jurisdiction. If the information in these instructions is not followed exactly, a fire, explosion or production of carbon monoxide may result causing property damage, personal injury or loss of life. The qualified service agency performing this installation is responsible for the proper installation of this kit and assumes responsibility for this burner replacement. The installation is not proper and complete until the operation of the appliance is checked as specified in the manufacturers instructions supplied with the appliance.

AVERTISSEMENT

Cet équipement de remplacement du brûleur sera installé par une agence qualifiée de service conformément aux instructions du fabricant et toutes exigences et codes applicables de l'autorisés avoir la juridiction. Si l'information dans cette instruction n'est pas suivie exactement, un feu, explosion ou production de protoxyde de carbone peut résulter le dommages causer de propriété, perte ou blessure personnelle de vie. L'agence qualifiée de service est esponsable de l'installation propre de remplacement du brûleur. L'installation n'est pas propre et complète jusqu'à l'opération de l'appareil est chèque suivant les critères établis dans les instructions de propriétaire provisionnées avec l'appareil.

INSTALLING THE BURNER INSTRUCTIONS

! CAUTION

The gas supply shall be shut OFF prior to disconnecting the electrical power, before proceeding with the conversion.

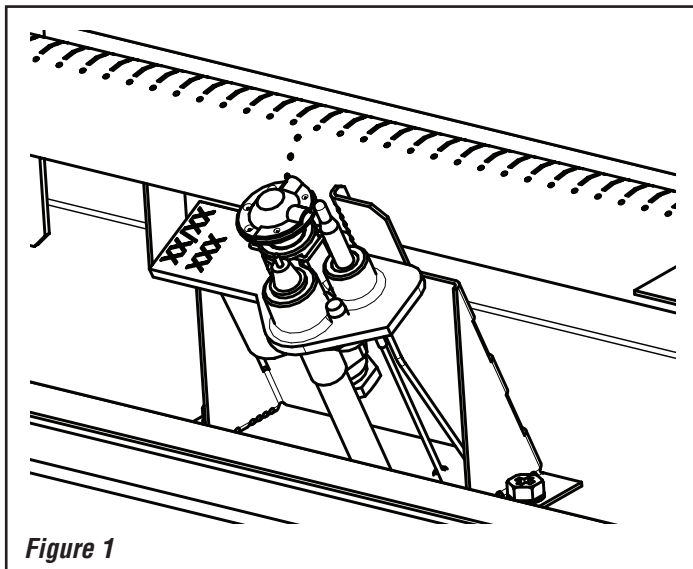
! ATTENTION

Avant d'effectuer la conversion, coupez d'abord l'alimentation en gaz, ensuite, coupez l'alimentation électrique.

1. **TURN OFF THE GAS SUPPLY TO THE FIREPLACE. Disconnect power supply at the circuit breaker. Ensure fireplace is cold.**
2. Remove the barrier assembly, facade, and glass door per instruction in the Installation and Operation Manual.
3. If applicable: Remove the facade and lower compartment cover for easier access.
4. If applicable: Remove the Media (including glass, porcelain panels, logs & rocks).
5. Perform the following burner replacement instructions:

Step 1. Remove the screws in perforated media floor and remove.

Step 2. Remove the screw in the burner and slide to the right to remove (taking care not to bend air shutter adjustment rod).



Step 3. Remove air shutter adjustment rod and air shutter from original burner. (Seen in *Figure 3, page 3*) using a 1/4" nutdriver or wrench. Install the removed air shutter and adjustment rod on new burner. Place the bent portion of the air shutter adjusting rod in the slot from the left side of the shutter arm (See *Figure 2*). Carefully lower the air shutter adjustment rod thru hole in firebox floor while sliding the burner to the left and replace burner attachment screw (left side of burner) [**Note:** Burner has L shaped flanges that will install in the burner support brackets].

Step 4. Before reinstallation of the perforated media floor, verify the pilot to burner relationship. *Page 3, figure 6.*

Step 5. Reinstall any media and panels that were removed. Refer to installation manual and/ or instruction sheets for proper placement/ installation.

Step 6. Reinstall the glass door.

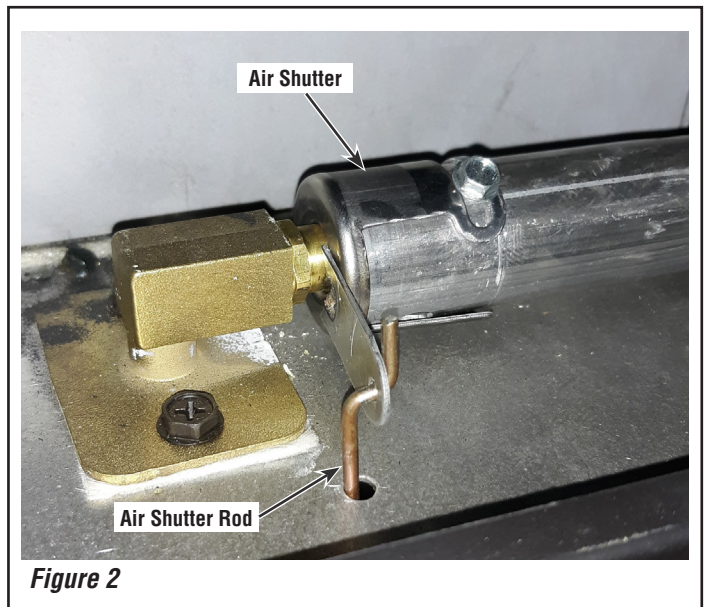
Step 7. Turn on gas supply and test for gas leaks, using a gas leak test solution—also known as bubble leak solution.

! WARNING

Never use an open flame to check for leaks.

Step 8. Adjust the burner air shutter. See *Burner Air Shutter Adjustment Instructions Section on page 3 and Table 1 and Figures 2 and 3.*

CAUTION: The air shutter should never be set so as to make the tips of the flames sooty or create sooting on the viewing glass, logs, or media. If soot begins to form after burning, the air shutter should be opened gradually until the sooting condition stops. Gas quality and gas pressure may vary, which can affect the burning characteristics of the appliance.

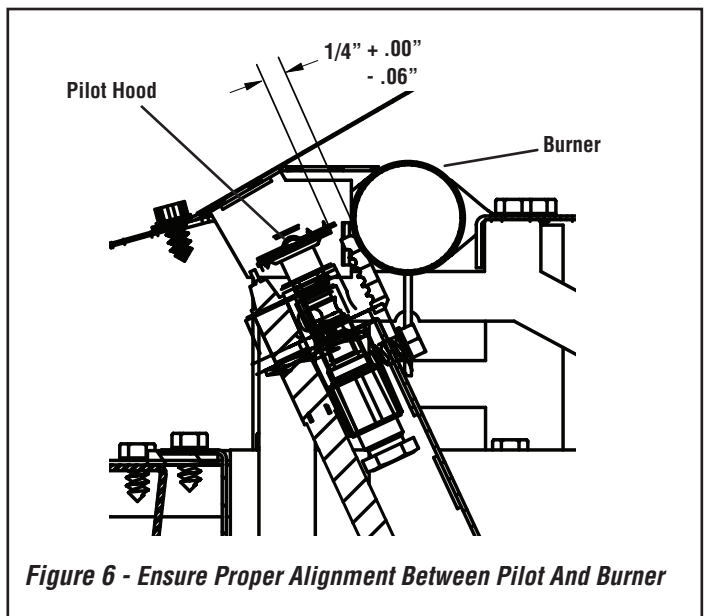
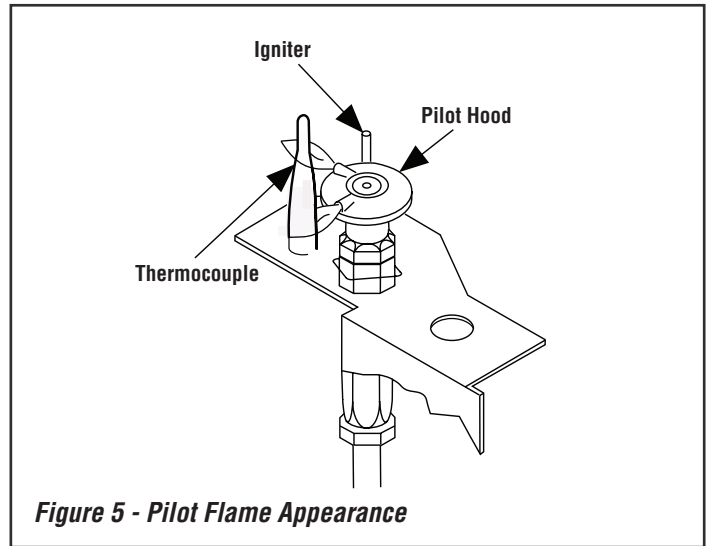
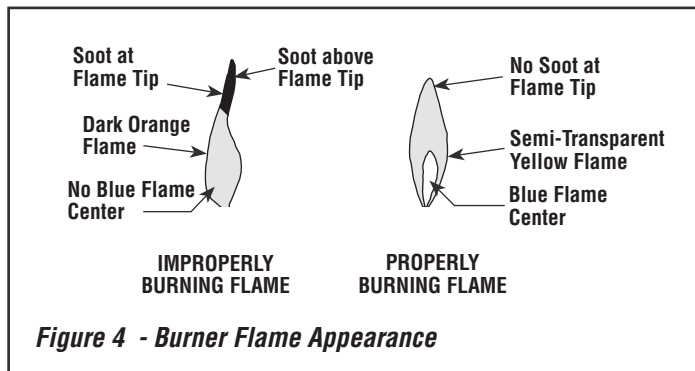
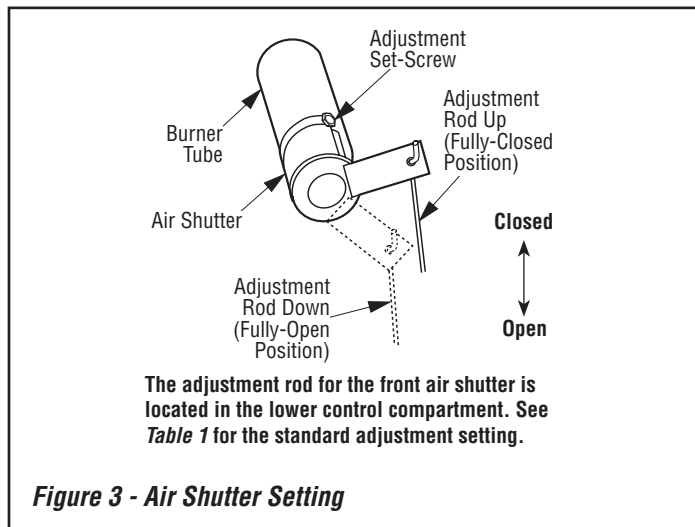


BURNER AIR SHUTTER ADJUSTMENT INSTRUCTIONS

1. Adjust the air shutters per instructions in **Figure 3** and **Table 1**.
2. Light the fireplace. Follow the lighting procedure on the lighting label in the control compartment.
3. Allow the burner to operate for at least fifteen (15) minutes while observing the flame continuously to ensure that the proper flame appearance is achieved (**Figure 4**). If the following conditions are present, adjust accordingly.
 - If flame appears weak or sooty, adjust the air shutter, incrementally, to a more open position until the proper flame appearance is achieved.
 - If flame remains blue, adjust the air shutter, incrementally, to a more closed position until the proper flame appearance is achieved.

Burner Air Shutter Settings		
Models	Natural Gas	Propane/LP Gas
All	1/4" (6.4 mm)	1/2" (13 mm)

Table 1



Innovative Hearth Products (IHP) reserves the right to make changes at any time, without notice, in design, materials, specifications, prices and also to discontinue colors, styles and products. Consult your local distributor for fireplace code information.

