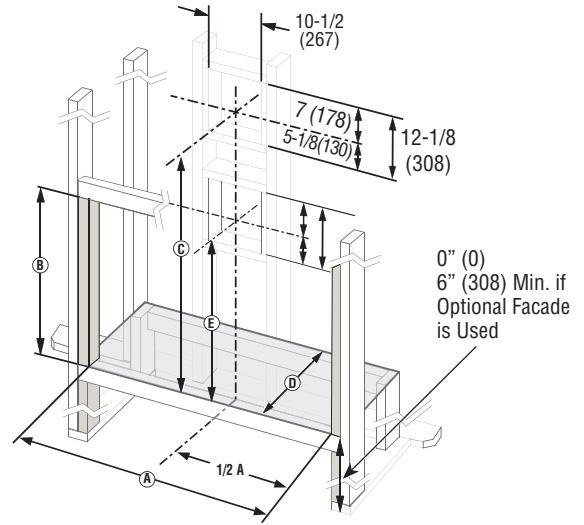
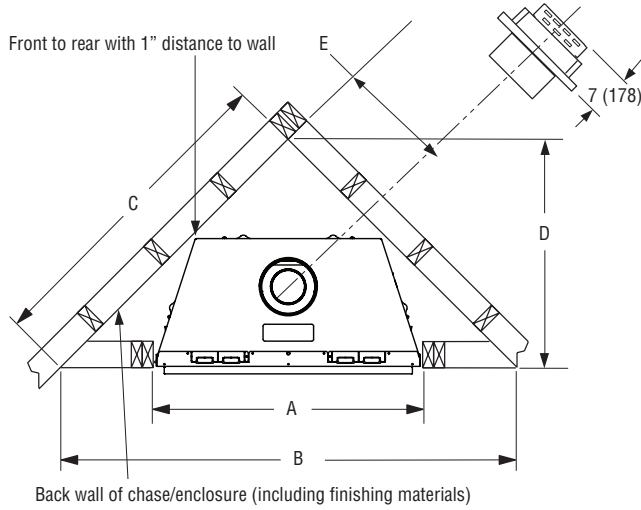


# DRL2000 & DRL3500 SERIES

## LINEAR DIRECT-VENT FIREPLACES

**NOTE:** Dimension "D" is for flush framing.

Framing construction to be 2 x 4, or larger.



Inches (millimeters)

Model	A	B	C	D	E
35" Models	35-7/8 (911)	59-1/2 (1511)	42-1/8 (1070)	30-1/4 (768)	14-1/4 (362)
45" Models	45-7/8 (1165)	70-3/8 (1788)	49-3/4 (1264)	35-1/4 (895)	17-1/2 (445)
55" Models	55-7/8 (1420)	82-3/4 (2102)	58-1/2 (1486)	41-3/8 (1051)	21-1/2 (547)

Model	A *	B	C	D	E
35" Models	35-7/8 (911)	29 (737)	42 (1067)	18 (458)	31-1/2 (547)
45" Models	45-7/8 (1165)	29 (737)	42 (1067)	18 (458)	31-1/2 (547)
55" Models	55-7/8 (1420)	29 (737)	42 (1067)	18 (458)	N/A

C = Height for installations with 12" section directly off unit then elbow

E = Height for installations with elbow directly off unit (see note below)

\* Minimum opening size; additional 1/8" per side is recommended.

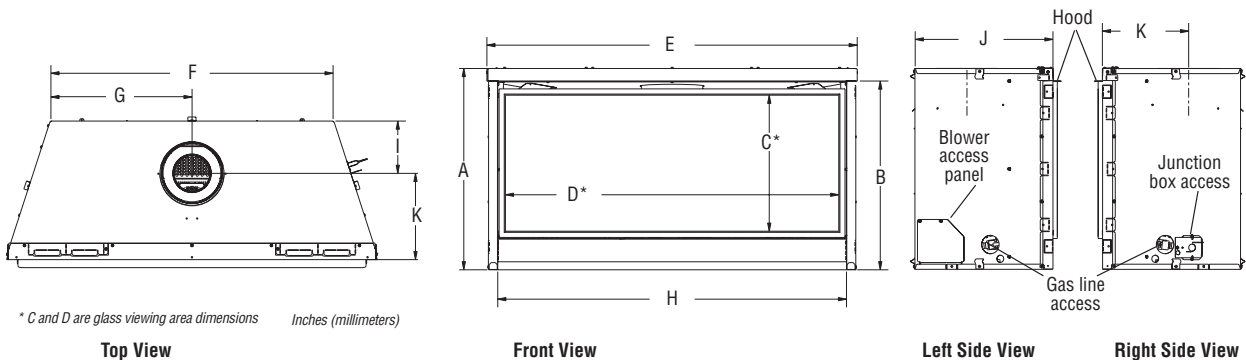
**NOTE:** Framing specifications do NOT apply for flexible venting. When using flexible venting, refer to the kit requirements for framing specifications.

**NOTE:** 35" & 45" model = Strongly recommend at least 1 ft of vertical rise directly off top of unit.

55" = 1 ft of vertical rise is required directly off unit.

Framing Dimensions

Fireplace Dimensions



Model	A	B	C*	D*	E	F	G	H	I	J	K
35" Models	24-3/4 (629)	23-1/4 (591)	16-3/4 (426)	30 (762)	35-1/2 (902)	24-3/4 (629)	12-3/8 (315)	32-7/8 (835)	6-1/2 (166)	17 (432)	10-5/8 (270)
45" Models	24-3/4 (629)	23-1/4 (591)	16-3/4 (426)	40 (1016)	45-1/2 (1156)	34-3/4 (883)	17-3/8 (442)	42-7/8 (1089)	6-1/2 (166)	17 (432)	10-5/8 (270)
55" Models	24-3/4 (629)	23-1/4 (591)	16-3/4 (426)	50 (1270)	55-1/2 (1410)	44-3/4 (1137)	22-3/8 (569)	52-7/8 (1344)	6-1/2 (166)	17 (432)	10-5/8 (270)

NOTE: DIAGRAMS & ILLUSTRATIONS ARE NOT TO SCALE.

