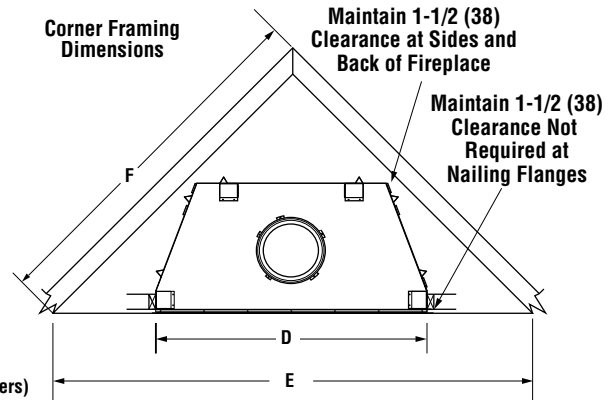
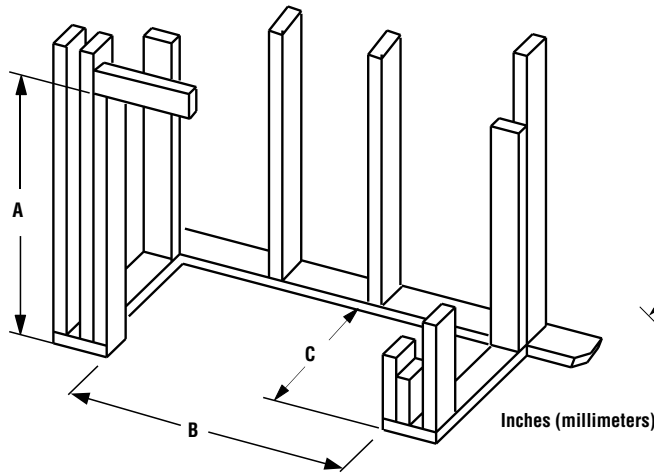


VRE6000 36/42/50 SERIES

OUTDOOR VENT-FREE FIREPLACES (Box only, Mosaic Masonry Brick Liner Required)

Framing Dimensions

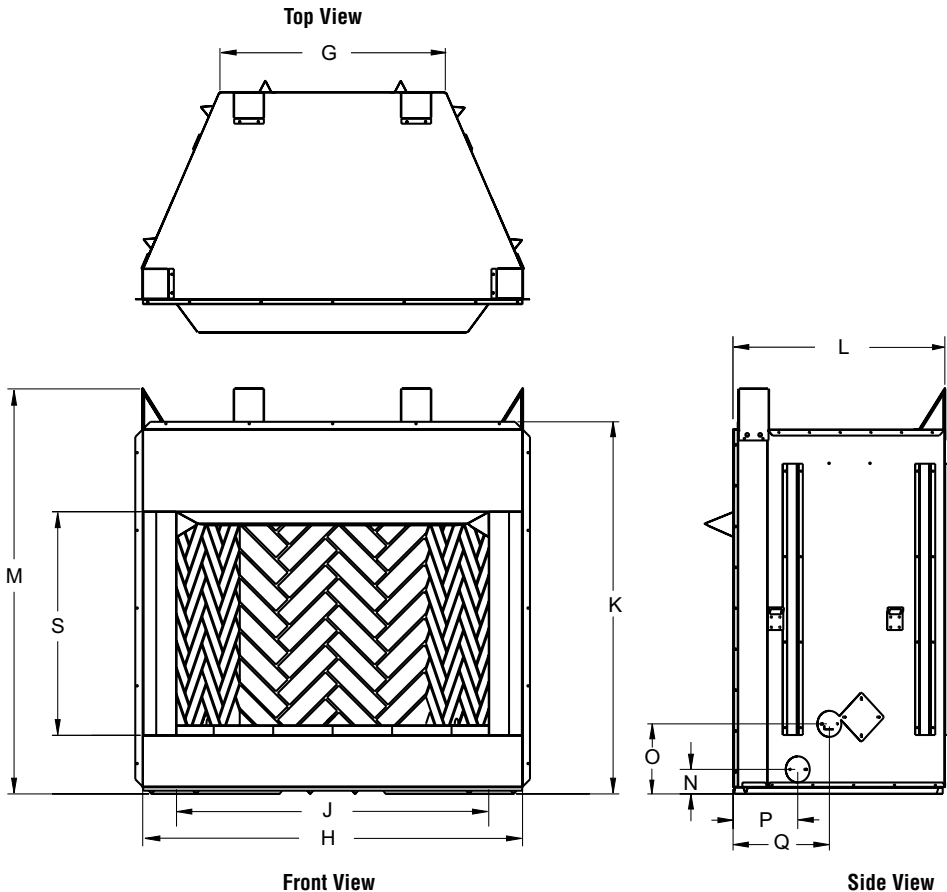


	36" Models	42" Models	50" Models
A	55 (1397 mm)	55 (1397 mm)	55 (1397 mm)
B	45-3/4 (1162 mm)	51-3/4 (1314 mm)	59-3/4 (1518 mm)
C	28-1/4 (718)	30-1/8 (766)	30-1/8 (766)

	36" Models	42" Models	50" Models
D	45-3/4 (1162 mm)	51-3/4 (1314 mm)	59-3/4 (1518 mm)
E	86-1/2 (2198)	92 (2337)	100 (2540)
F	61 (1550)	65 (1651)	71 (1804)

Diagrams, illustrations and photographs are not to scale. Consult installation instructions. Product designs, materials, dimensions, specifications, colors, and prices are subject to change or discontinuance without notice.

Fireplace Dimensions



	36" Model	42" Model	50" Model
G	29 (737)	30-3/8 (772)	38-3/8 (975)
H	45-1/4 (1149)	51-1/4 (1302)	59-1/4 (1505)
J	36 (914)	42 (1067)	50 (1270)
K	50-1/8 (1273)	50-1/8 (1273)	50-1/8 (1273)
L	26-3/4 (680)	26-5/8 (677)	28-5/8 (727)
M	54-3/4 (1391)	54-3/4 (1391)	54-3/4 (1391)
N	3-3/8 (86)	3-3/8 (86)	3-3/8 (86)
O	9-1/2 (242)	9-1/2 (242)	9-1/2 (242)
P	7-3/8 (188)	8-3/4 (223)	8-3/4 (223)
Q	11-1/8 (283)	13 (330)	13 (330)
S	30 (762)	30 (762)	30 (762)

Inches (millimeters)

VRE6000 36/42/50 SERIES

Fireplace Reference Information

Cat. No.	Model	Shipping Wt.	Shipping Vol.	Cat. No.	Model	Shipping Wt.	Shipping Vol.	Cat. No.	Model	Shipping Wt.	Shipping Vol.
F4225	VRE6036	446 lb.	109.1 cu. ft.	F4226	VRE6042	529 lb.	109.1 cu. ft.	F4227	VRE6050	620 lb.	109.1 cu. ft.

Product Information

Mosaic Masonry Brick Reference Information			
Cat. No.	Model	Shipping Wt.	Shipping Vol.
F0334	Mosaic36WRFS	421 lb.	24.5 cu. ft.
F0335	Mosaic36WRSS	421 lb.	24.5 cu. ft.
F0336	Mosaic36IVFS	421 lb.	24.5 cu. ft.
F0337	Mosaic36IVSS	421 lb.	24.5 cu. ft.
F0338	Mosaic36WRFH	421 lb.	24.5 cu. ft.
F0339	Mosaic36WRSH	421 lb.	24.5 cu. ft.
F0340	Mosaic36IVFH	421 lb.	24.5 cu. ft.
F0341	Mosaic36IVSH	421 lb.	24.5 cu. ft.
F4521	Mosaic36MIFS	421 lb.	24.5 cu. ft.
F4524	Mosaic36MISS	421 lb.	24.5 cu. ft.
F4527	Mosaic36MIFH	421 lb.	24.5 cu. ft.
F4530	Mosaic36MISH	421 lb.	24.5 cu. ft.
F4533	Mosaic36SGFS	421 lb.	24.5 cu. ft.
F4536	Mosaic36SGSS	421 lb.	24.5 cu. ft.
F4539	Mosaic36SGFH	421 lb.	24.5 cu. ft.
F4542	Mosaic36SGSH	421 lb.	24.5 cu. ft.

Mosaic Masonry Brick Reference Information			
Cat. No.	Model	Shipping Wt.	Shipping Vol.
F0342	Mosaic42WRFS	445 lb.	24.5 cu. ft.
F0343	Mosaic42WRSS	445 lb.	24.5 cu. ft.
F0344	Mosaic42IVFS	445 lb.	24.5 cu. ft.
F0345	Mosaic42IVSS	445 lb.	24.5 cu. ft.
F0346	Mosaic42WRFH	445 lb.	24.5 cu. ft.
F0347	Mosaic42WRSH	445 lb.	24.5 cu. ft.
F0348	Mosaic42IVFH	445 lb.	24.5 cu. ft.
F0349	Mosaic42IVSH	445 lb.	24.5 cu. ft.
F4522	Mosaic42MIFS	445 lb.	24.5 cu. ft.
F4525	Mosaic42MISS	445 lb.	24.5 cu. ft.
F4528	Mosaic42MIFH	445 lb.	24.5 cu. ft.
F4531	Mosaic42MISH	445 lb.	24.5 cu. ft.
F4534	Mosaic42SGFS	445 lb.	24.5 cu. ft.
F4537	Mosaic42SGSS	445 lb.	24.5 cu. ft.
F4540	Mosaic42SGFH	445 lb.	24.5 cu. ft.
F4543	Mosaic42SGSH	445 lb.	24.5 cu. ft.

Mosaic Masonry Brick Reference Information			
Cat. No.	Model	Shipping Wt.	Shipping Vol.
F0350	Mosaic50WRFS	498 lb.	24.5 cu. ft.
F0351	Mosaic50WRSS	498 lb.	24.5 cu. ft.
F0352	Mosaic50IVFS	498 lb.	24.5 cu. ft.
F0353	Mosaic50IVSS	498 lb.	24.5 cu. ft.
F0354	Mosaic50WRFH	498 lb.	24.5 cu. ft.
F0355	Mosaic50WRSH	498 lb.	24.5 cu. ft.
F0356	Mosaic50IVFH	498 lb.	24.5 cu. ft.
F0357	Mosaic50IVSH	498 lb.	24.5 cu. ft.
F4523	Mosaic50MIFS	498 lb.	24.5 cu. ft.
F4526	Mosaic50MISS	498 lb.	24.5 cu. ft.
F4529	Mosaic50MIFH	498 lb.	24.5 cu. ft.
F4532	Mosaic50MISH	498 lb.	24.5 cu. ft.
F4535	Mosaic50SGFS	498 lb.	24.5 cu. ft.
F4538	Mosaic50SGSS	498 lb.	24.5 cu. ft.
F4541	Mosaic50SGFH	498 lb.	24.5 cu. ft.
F4544	Mosaic50SGSH	498 lb.	24.5 cu. ft.

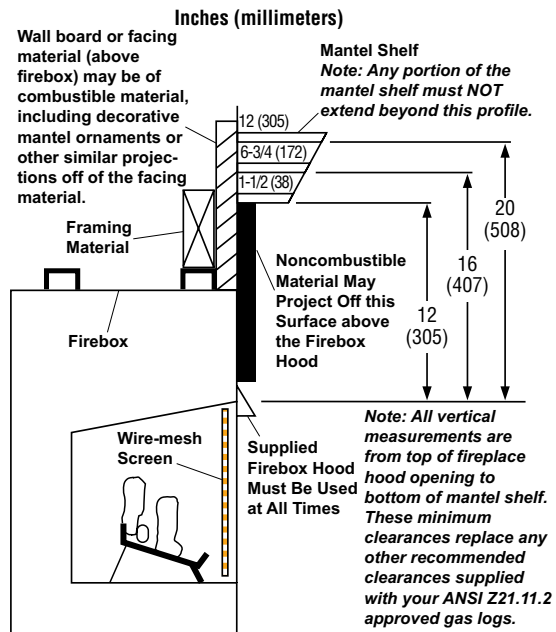
Listing Information



Report No. F09-095

These fireplaces have been tested and approved by PFS Corporation under UL127/ULC-S610 standard as a Factory Built Appliance and may be used with gas logs approved to ANSI Z21.60, Z21.84 or Z21.11.2 standards.

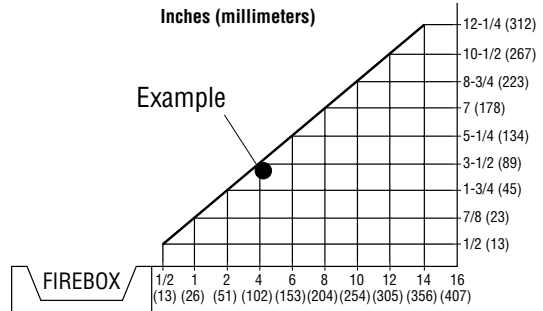
Clearances



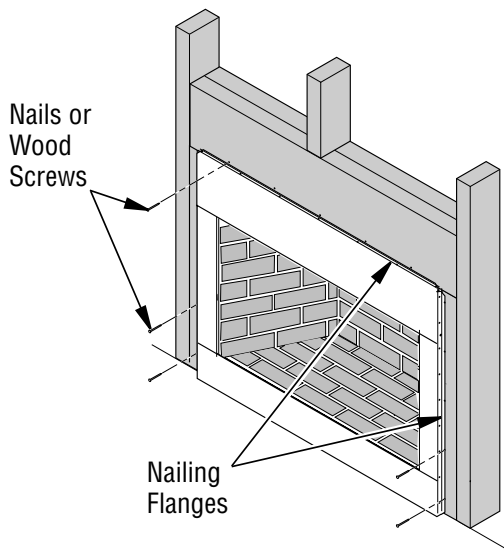
Minimum Wall and Ceiling Clearances (see figure below)

- Clearances from the side of the fireplace cabinet to any combustible material and wall should follow diagram shown here.

Example: The face of a mantel, bookshelf, etc. is made of combustible material and protrudes 3 1/2" from the wall. This combustible material must be 4" from the side of the fireplace cabinet.
- Clearances from the top of the firebox opening to the ceiling should not be less than 42".
- When the firebox is installed directly on carpeting, vinyl tile or other combustible material, other than wood flooring, the firebox should be installed on a metal or wood panel extending the full width and depth of the enclosure.
- Clearances from the bottom of firebox to the floor is 0".



Nailing Flanges



Specifications and clearances are subject to change without notice. Refer to Installation Manual before installation of these appliances for updated dimensions and instructions.

NOTE: DIAGRAMS & ILLUSTRATIONS ARE NOT TO SCALE.

Printed in U.S.A. © 2021 Innovative Hearth Products
P/N 901010-01 REV. B 06/2021

