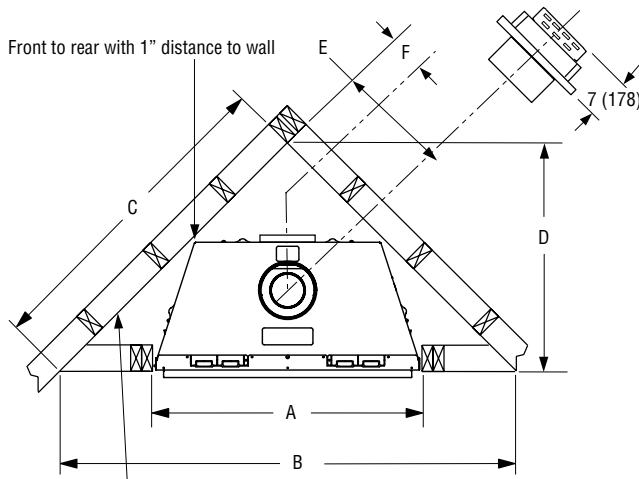


# DRT3500-C SERIES

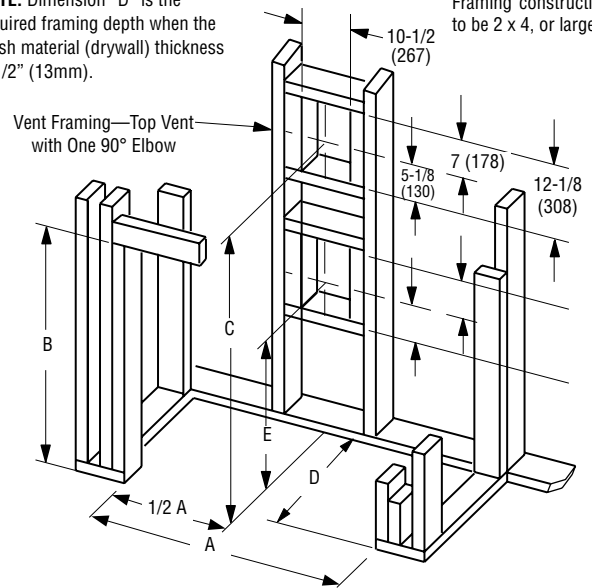
## DIRECT-VENT FIREPLACES

**NOTE:** Dimension "D" is the required framing depth when the finish material (drywall) thickness is 1/2" (13mm).

Framing construction to be 2 x 4, or larger.



Back wall of chase/enclosure (including finishing materials)



**NOTE:** When in top vent mode - No combustible material shall be allowed to contact the rear flue cap/cover.

C = Minimum height of top vent installations  
E = Minimum height of rear vent installations

Inches (millimeters)

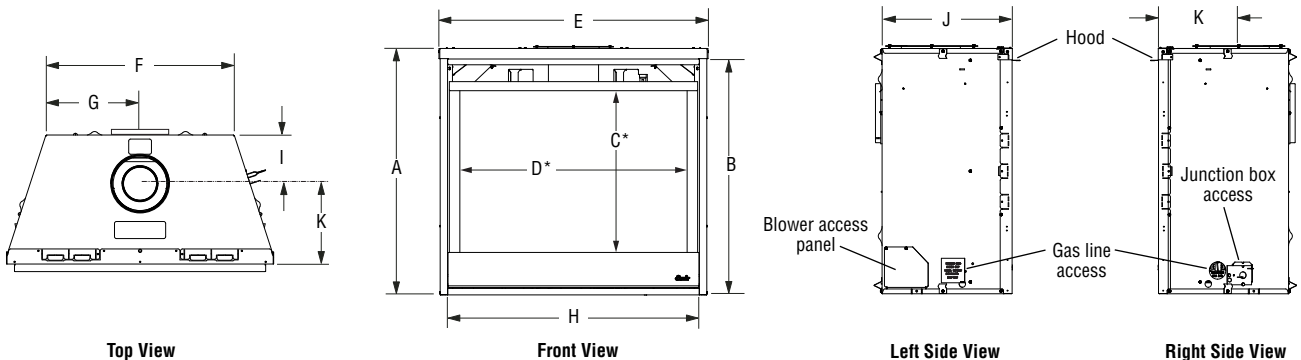
Model	A	B	C	D	E	F
35" Models	35-7/8 (911)	59-1/2 (1511)	42-1/8 (1070)	30-1/4 (768)	14-1/4 (362)	6-5/8 (168)
40" Models	40-7/8 (1038)	63-7/8 (1622)	45-3/8 (1153)	33-1/4 (845)	15-7/8 (403)	8-1/2 (216)
45" Models	45-7/8 (1165)	70-3/8 (1788)	49-3/4 (1264)	35-1/4 (895)	17-1/2 (445)	10-1/4 (260)

Model	A *	B	C	D	E
35" Models	35-7/8 (911)	36-1/4 (920)	38-3/4 (984)	18-1/2 (470)	23-3/8 (594)
40" Models	40-7/8 (1038)	41-1/4 (1148)	43-3/4 (1111)	18-1/2 (470)	28-1/4 (717)
45" Models	45-7/8 (1165)	41-1/4 (1148)	43-3/4 (1111)	18-1/2 (470)	28-1/4 (717)

\*Minimum opening size; additional 1/8" per side is recommended.

**NOTE:** Framing specifications do NOT apply for flexible venting. When using flexible venting, refer to the kit requirements for framing specifications.

**NOTE:** When in top vent mode, No combustible material shall be allowed to contact the rear flue cap/cover.



Top View

Front View

Left Side View

Right Side View

Inches (millimeters)

\* C and D are glass viewing area dimensions

Model	A	B	C*	D*	E	F	G	H	I	J	K
35" Models	32-1/8 (816)	26-5/8 (677)	19-1/2 (496)	29-1/4 (743)	35-1/4 (895)	25 (635)	12-1/2 (317)	32-7/8 (835)	6-7/8 (175)	17 (432)	10-1/8 (258)
40" Models	37-1/8 (943)	34-5/8 (880)	24-1/2 (623)	34-1/4 (870)	40-1/4 (1022)	30 (762)	15 (381)	37-7/8 (962)	6-7/8 (175)	17 (432)	10-1/8 (258)
45" Models	37-1/8 (943)	34-5/8 (880)	24-1/2 (623)	39-1/4 (997)	45-1/4 (1149)	35 (889)	17-1/2 (445)	42-7/8 (1089)	6-7/8 (175)	17 (432)	10-1/8 (258)

NOTE: DIAGRAMS & ILLUSTRATIONS ARE NOT TO SCALE.

Framing Dimensions

Fireplace Dimensions

# DRT3500-C SERIES

Product Information

Cat. No.	Model	Weight	Cu. Ft.
F3903	DRT3535DEN-C	134 lb.	12.6
F3904	DRT3535DEP-C	134 lb.	12.6
F3905	DRT3540DEN-C	150 lb.	16.8

Cat. No.	Model	Weight	Cu. Ft.
F3906	DRT3540DEP-C	150 lb.	16.8
F3907	DRT3545DEN-C	182 lb.	18.8
F3908	DRT3545DEP-C	182 lb.	18.8

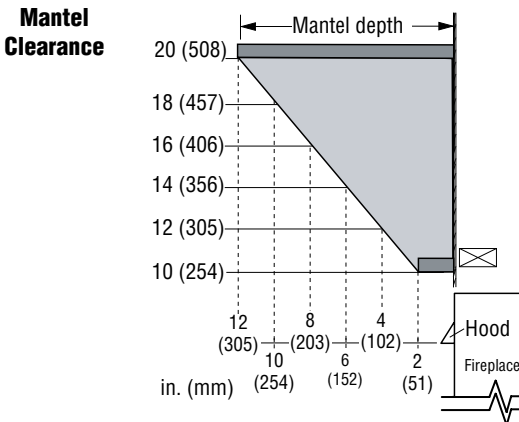
Listing Information



Report No. F13-094

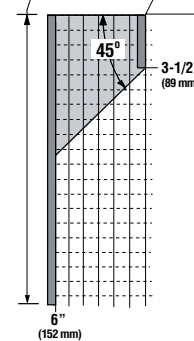
Listed by PFS Corporation to - ANSI Z21.88 (in Canada, CSA-2.33), and CAN/CGA-2.17-M91 in both USA and Canada, as a vented gas fireplace heater.

Clearances



**Side Wall Clearance**

At 6" minimum side wall clearance, a combustible wall can project to any length.



Top View of Fireplace

Combustible Materials Allowed In Shaded Area "Safe Zone"

Combustible Walls shown in dark gray

Combustible mantel legs may project beyond either side of the fireplace opening as long as they are kept within the shaded area illustrated here.

Shelf Height

Model	Top Vent with one 90° Elbow		Alternative Rear Vent applications
	Secure Vent® (using rigid elbow)	Secure Flex® (using flex elbow)	Secure Vent®
35" Models	47" (1194 mm)*	49" (1245 mm)*	41" (1042 mm)**
40" Models	52" (1321 mm)*	54" (1372 mm)*	46" (1169 mm)**
45" Models	52" (1321 mm)*	54" (1372 mm)*	46" (1169 mm)**

- \* Includes 3" clearance to combustibles (required above vent components)
- \*\* In alternative, Rear Vent applications, Top Vent will be sealed as detailed in the Installation and Operation manual.
- \*\*\* When in top vent mode; no combustible material shall be allowed to contact the rear flue cap/cover.

Do not insulate the space between the appliance and the area above it.

Shelf Height (see table)

Shelf Above Fireplace With Rear Venting

Do not insulate the space between the appliance and the area above it.

Shelf Height (see table)

Shelf Above Fireplace With Top Venting

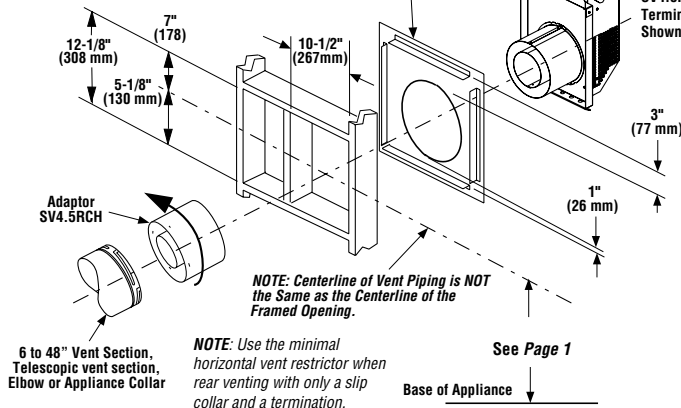
Specifications and clearances are subject to change without notice. Refer to Installation and Operation Manual before installation of these appliances for updated dimensions and instructions.

Venting

Installing the Horizontal Termination, SV4.5HT-2 (all models) or SV4.5HTSS (35" models only)

**Horizontal Termination**

To help minimize water infiltration it is recommended that the Firestop/Spacer (SV4.5HF) be installed on the exterior side of the wall.

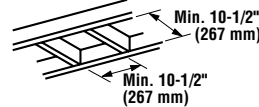


**Vertical Termination**

Vertical Termination Cap SV4.5CGV-1 (rated for high winds and freezing conditions)

\* Ceiling Firestop/Spacer (SV4.5VF)

**Roof Framing**



Uses 4.5" / 7.5" Secure Vent® Rigid and Secure Flex® Direct-Vent Components

**Typical Installations**

