

VRT4000 SERIES

 CUSTOM SERIES VENT-FREE GAS FIREBOXES








Our name is our promise.



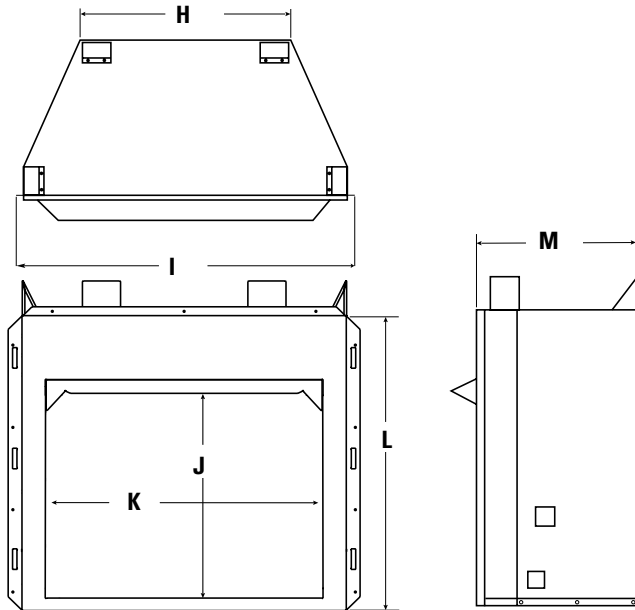
TRADITIONAL

The traditional masonry design elements include a large viewing area, and a flush-to-the-floor opening to help create the look of a real site-built masonry fireplace.

FEATURES

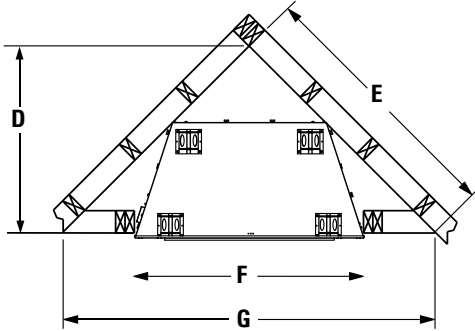
-  Available in 32", 36" and 42" models
-  Flush hearth floor design (hearth spacer not required for combustible floor installation)
-  Refractory Panels available in two patterns
-  Textured powder coat finish
-  Mesh fire screens
-  20 year limited warranty

APPLIANCE SPECIFICATIONS



	VRT4032	VRT4036	VRT4042
H	22-7/16"	29-1/8"	36-1/8"
I	34-1/2"	41-1/8"	48-1/4"
J	23-7/8"	26-3/4"	29-5/8"
K	29-1/2"	35"	42"
L	32-1/4"	36-1/8"	40"
M	16-5/8"	21-1/8"	23-1/16"

CORNER FRAMING SPECIFICATIONS



	VRT4032	VRT4036	VRT4042
D	30"	37"	43"
E	42-7/16"	52"	61"
F	35-7/8"	42-1/2"	49-5/8"
G	60"	74"	86"

IMPORTANT NOTES:

As with any fireplace, this appliance is extremely hot during operation. Read and understand all operating instructions before using this appliance. For further information, consult your dealer.

Local conditions, such as elevation and choice of fuel will affect overall appearance of the fire and heating performance. Performance can also vary with home design and insulation, ceiling height, accessories chosen and appliance location.

Diagrams, illustrations and photographs are not to scale — consult installation instructions. Product designs, materials, specifications, colors and prices are subject to change or discontinuance without notice.

INTERIOR PANEL OPTIONS (REQUIRED)



White Stacked



White Herringbone

VENT-FREE GAS LOGS (OPTIONAL)

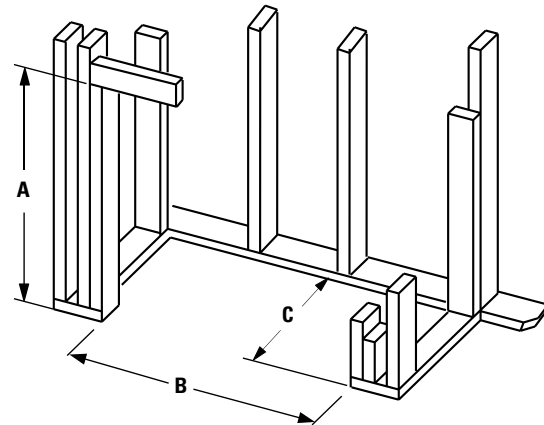


LBG Series



LTF Series

FRAMING SPECIFICATIONS



	VRT4032	VRT4036	VRT4042
A	36-3/4"	40-1/2"	44-1/2"
B	35-7/8"	42-1/2"	49-5/8"
C	16-1/4"	20-3/4"	22-5/8"



© 2017 Innovative Hearth Products

785448M 01/17

Visit us online



SuperiorFireplaces.us.com



Report #F09-130

