

## VRT/VCT3000 SERIES

### PRO SERIES VENT-FREE GAS FIREBOXES



**Superior**  
FIREPLACES  
*Our name is our promise.*

**TRADITIONAL**

These vent-free fireboxes combine performance, versatility and value to add the finishing touch and ambiance to any home.

#### FEATURES

- Available in 32", 36" and 42" radiant/circulating models
- 32" model has an 18" tall opening and accepts 18" vent-free gas logs
- 36" model has an 21" tall opening and accepts up to 24" vent-free gas logs
- 42" model has an 24" tall opening and accepts up to 30" vent-free gas logs
- Black painted interior with optional vintage ceramic fiber or black reflective porcelain liners
- White stacked refractory panel models (sides and back)
- Standard heat deflection hood (required)
- Screens retract into hidden screen pockets
- Optional outside air kit
- Optional blower available for all models
- Standard J-Box kit installed in firebox
- Durable textured powder coat finish
- 20 year limited warranty

#### INTERIOR OPTIONS



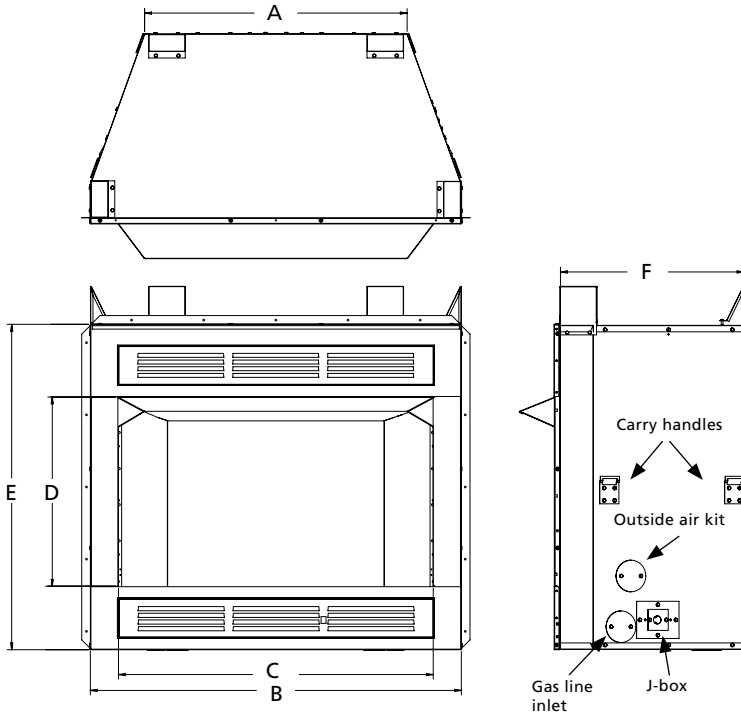
Black (Painted)



White Stacked

## APPLIANCE SPECIFICATIONS

Louvered models shown. Radiant models available.



## OPTIONAL ACCESSORIES



Vintage Ceramic Fiber Liner



Black Reflective Porcelain Liner

- A.** Blower Kits (VCT louvered models only)
- B.** Perimeter trim kits in a variety of finishes
- C.** Outside air kit
- D.** Wood cabinet mantels
- E.** Ceramic fiber and porcelain liners
- F.** Vent-free gas logs

## FRAMING SPECIFICATIONS

	VRT/VCT3032	VRT/VCT3036	VRT/VCT3042
A	22-7/16"	29-1/8"	36-3/16"
B	34-1/2"	41-1/8"	48-3/16"
C	29-3/8"	34-7/8"	41-7/8"
D	18-1/4"	21"	24"
E	32-1/4"	36-1/16"	40"
F	16-9/16"	21-1/16"	23-1/4"

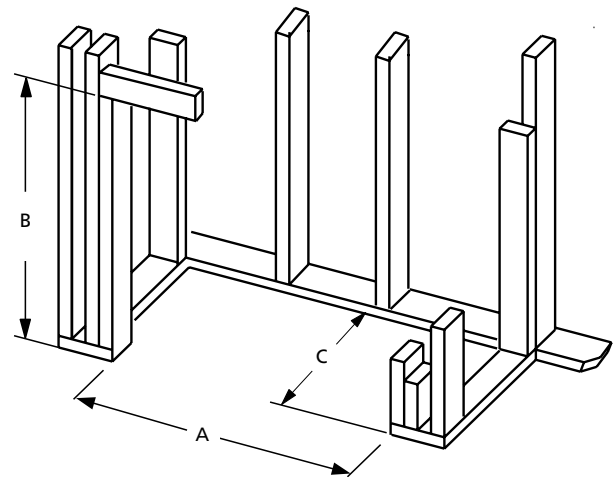
	VRT/VCT3032	VRT/VCT3036	VRT/VCT3042
A	34-1/2"	41-3/8"	48-1/4"
B	36-5/8"	40-1/4"	43-3/4"
C	16-5/8"	21-1/8"	23-1/2"

### IMPORTANT NOTES:

As with any fireplace, this appliance is extremely hot during operation. Read and understand all operating instructions before using this appliance. For further information, consult your dealer.

Local conditions, such as elevation, wind, vent configuration and choice of fuel will affect overall appearance of the fire and heating performance. Performance can also vary with home design and insulation, climate, condition and type of fuel used, appliance location, burn rate, accessories chosen, chimney installation and how the appliance is operated.

Diagrams, illustrations and photographs are not to scale—consult installation instructions. Product designs, materials, dimensions, specifications, colors and prices are subject to change or discontinuance without notice.



Visit us online



SuperiorFireplaces.us.com



© 2017 Innovative Hearth Products  
785452M 01/17



Report #F12-020