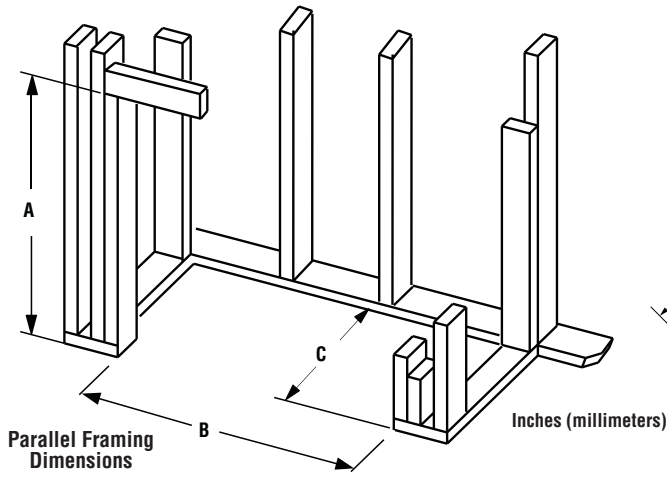


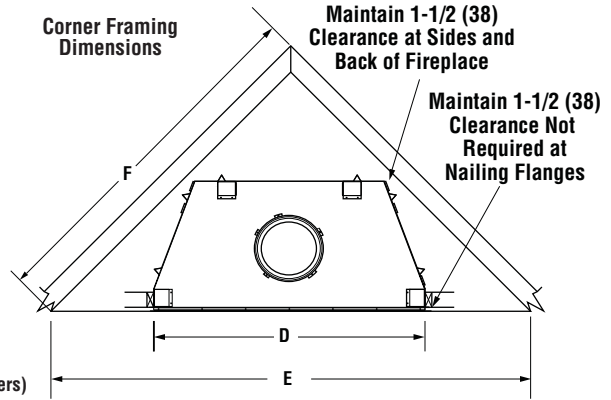
WRE4850 SERIES

OUTDOOR CATALYTIC WOOD-BURNING FIREPLACES

Framing Dimensions

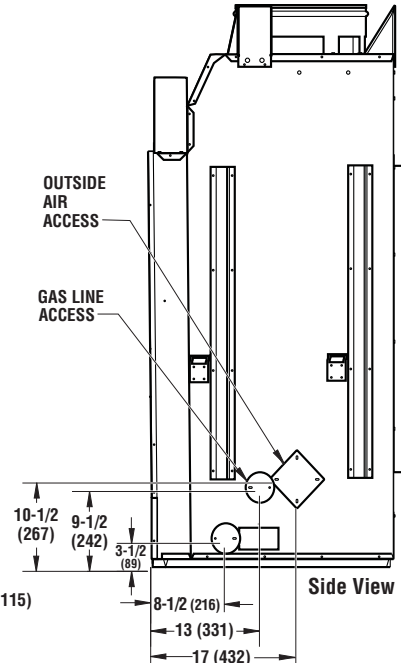
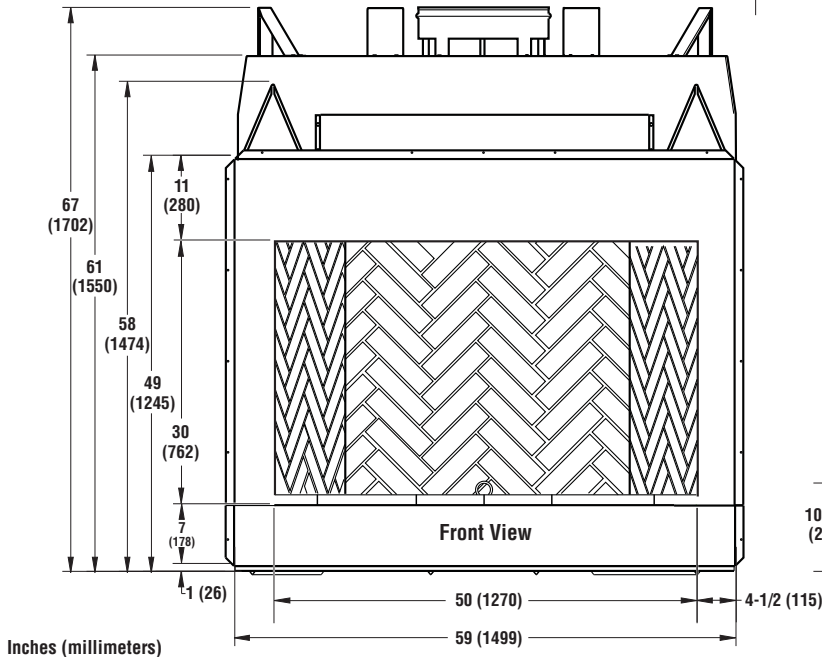
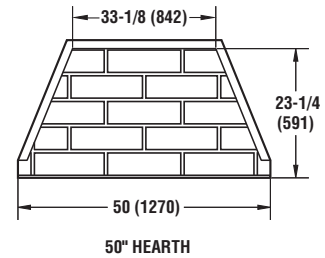
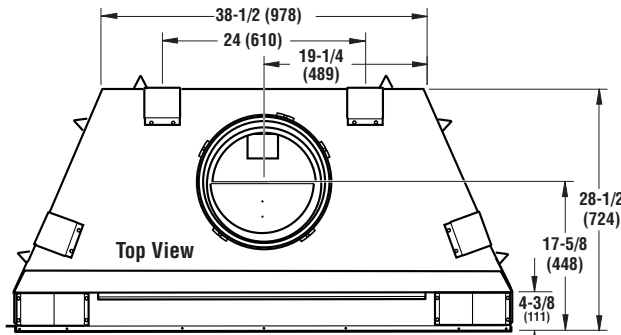


| | 50" Models |
|---|---------------|
| A | 67-1/8 (1705) |
| B | 59-1/8 (1502) |
| C | 30-1/8 (766) |



| | 50" Models |
|---|---------------|
| D | 59-1/8 (1502) |
| E | 100 (2540) |
| F | 71 (1804) |

Fireplace Dimensions



NOTE: DIAGRAMS & ILLUSTRATIONS ARE NOT TO SCALE.

WRE4850 SERIES

Product Information

| Product Reference Information | | | |
|-------------------------------|-----------|-----------------|-----------------|
| Cat. No. | Model | Shipping Weight | Shipping Volume |
| F0433 | WRE4850RS | 615 lb. | 131.5 cu. ft. |
| F0434 | WRE4850WS | 615 lb. | 131.5 cu. ft. |
| F0435 | WRE4850RH | 615 lb. | 131.5 cu. ft. |
| F0436 | WRE4850WH | 615 lb. | 131.5 cu. ft. |

Listing Information



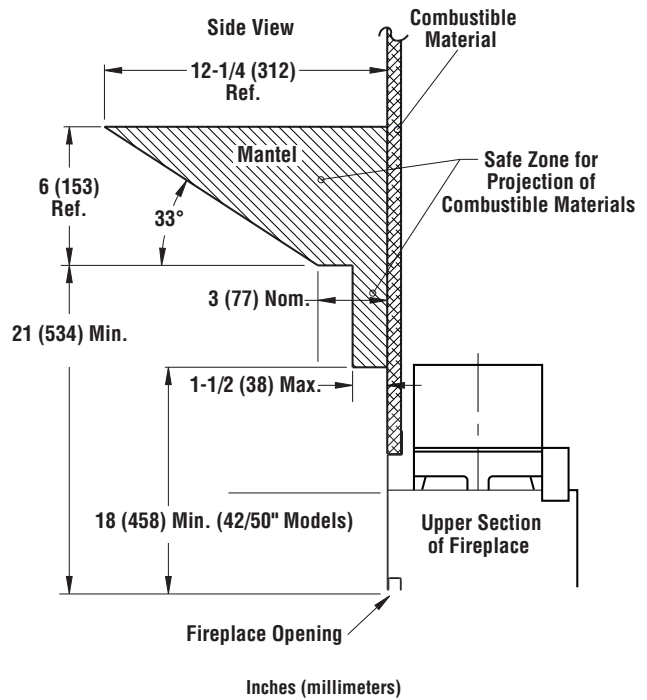
Report No. F09-095

These fireplaces have been tested and approved by PFS Corporation under UL127/ ULC-S610 standard as a Factory Built Appliance and may be used with gas logs approved to ANSI Z21.60, Z21.84 or Z21.11.2 standards.

| Clearances to Combustibles | |
|-------------------------------|----------------|
| Description | Min. Clearance |
| Back and sides of fireplace | 1-1/2 (38)* |
| Ceiling | 42 (1067) |
| Front of fireplace | 48 (1220) |
| Floor | 0 (0)** |
| Perpendicular wall to opening | 18 (458) |
| Top spacers | 0 (0) |
| Chimney outer pipe surface | 2 (51) |

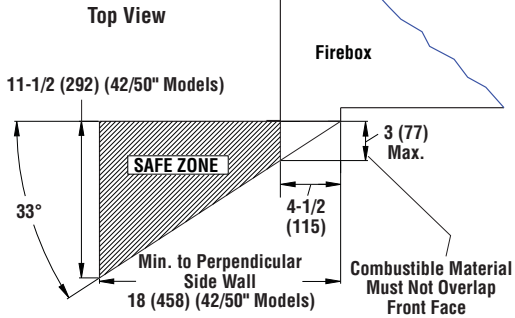
* Not required at nailing flanges
 ** See step 2 of Framing in the Installation and Operation Manual

Mantel Clearances



Clearances

Side Wall Clearances



Venting

Venting
 Uses Standard Wood Burning Chimney (12DM)

