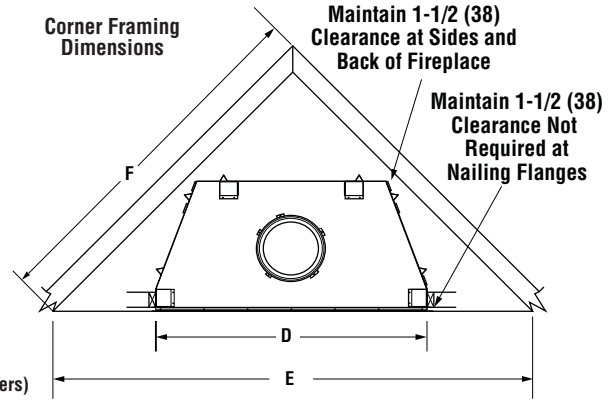
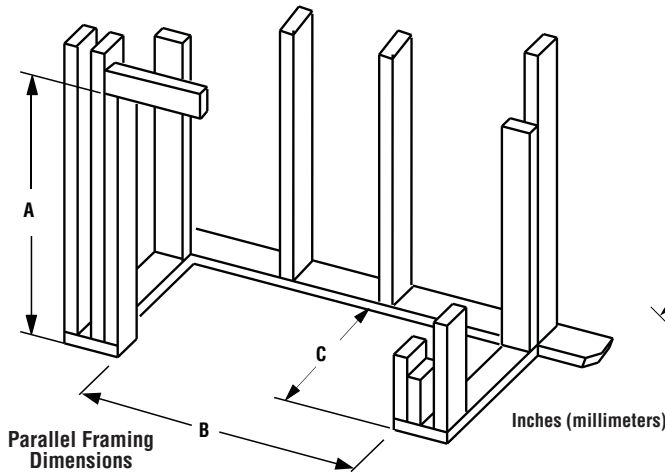


WRE6800 42/50 SERIES

OUTDOOR WOOD-BURNING FIREPLACES WITH CATALYST

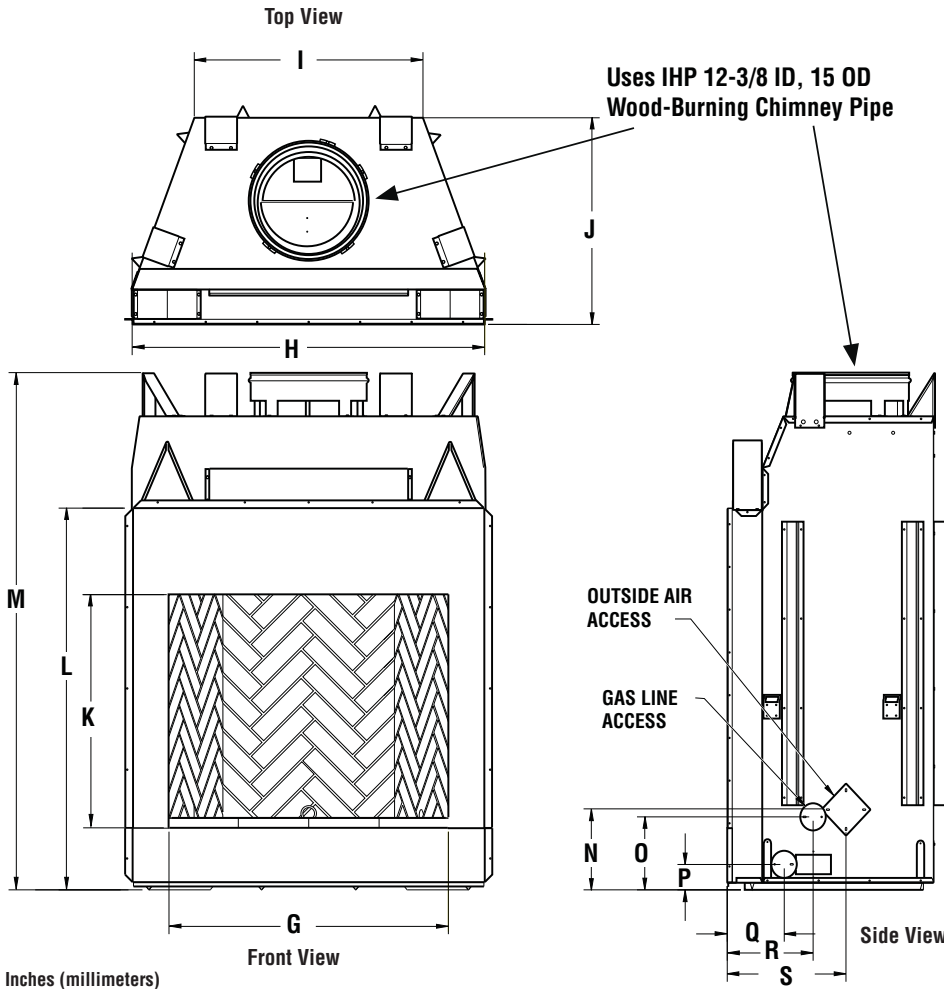
Framing Dimensions



	42" Models	50" Models
A	67-1/8 (1705)	67-1/8 (1705)
B	51-1/4 (1302)	59-1/4 (1505)
C	30-1/8 (766)	30-1/8 (766)

	42" Models	50" Models
D	51-1/4 (1302)	59-1/4 (1505)
E	92 (2337)	100 (2540)
F	65 (1651)	71 (1804)

Fireplace Dimensions



	42" Model	50" Model
G	42 (1067)	50 (1270)
H	51-1/8 (1299)	59-1/8 (1502)
I	30-1/2 (775)	38-1/2 (978)
J	29 (737)	29 (737)
K	30 (762)	30 (762)
L	49 (1245)	49 (1245)
M	67 (1702)	67 (1702)
N	10-1/2 (267)	10-1/2 (267)
O	9-1/2 (242)	9-1/2 (242)
P	3-1/2 (89)	3-1/2 (89)
Q	8-1/2 (216)	8-1/2 (216)
R	13 (331)	13 (331)
S	17 (432)	17 (432)

WRE6800 42/50 SERIES

Product Information

Product Reference Information			
Cat. No.	Model	Shipping Weight	Shipping Volume
F0421	WRE6842RS	650 lb.	131.5 cu. ft.
F0422	WRE6842IS	650 lb.	131.5 cu. ft.
F0423	WRE6842RH	650 lb.	131.5 cu. ft.
F0424	WRE6842IH	650 lb.	131.5 cu. ft.

Product Reference Information			
Cat. No.	Model	Shipping Weight	Shipping Volume
F1875	WRE6850RS	715 lb.	131.5 cu. ft.
F0426	WRE6850IS	715 lb.	131.5 cu. ft.
F0427	WRE6850RH	715 lb.	131.5 cu. ft.
F0428	WRE6850IH	715 lb.	131.5 cu. ft.

Listing Information



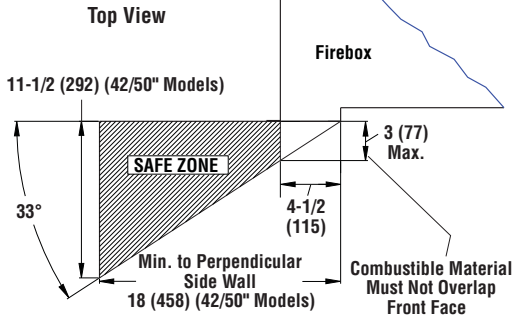
Report No. F09-095

These fireplaces have been tested and approved by PFS Corporation under UL127/ULC-S610 standard as a Factory Built Appliance and may be used with gas logs approved to ANSI Z21.60, Z21.84 or Z21.11.2 standards.

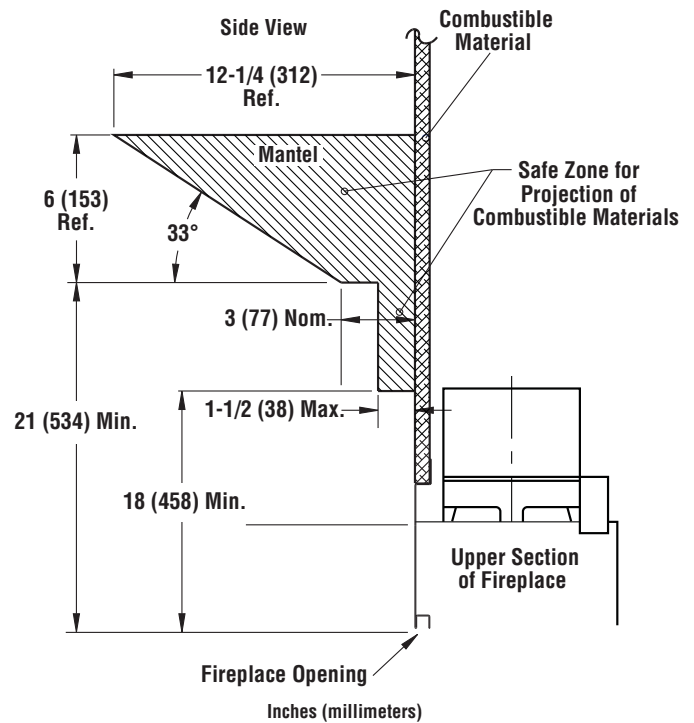
Clearances to Combustibles	
Description	Min. Clearance
Back and sides of fireplace	1-1/2 (38)*
Ceiling	42 (1067)
Front of fireplace	48 (1220)
Floor	0 (0)**
Perpendicular wall to opening	18 (458)
Top spacers	0 (0)
Chimney outer pipe surface	2 (51)

* Not required at nailing flanges
 ** See step 2 of Framing in the Installation and Operation Manual

Side Wall Clearances



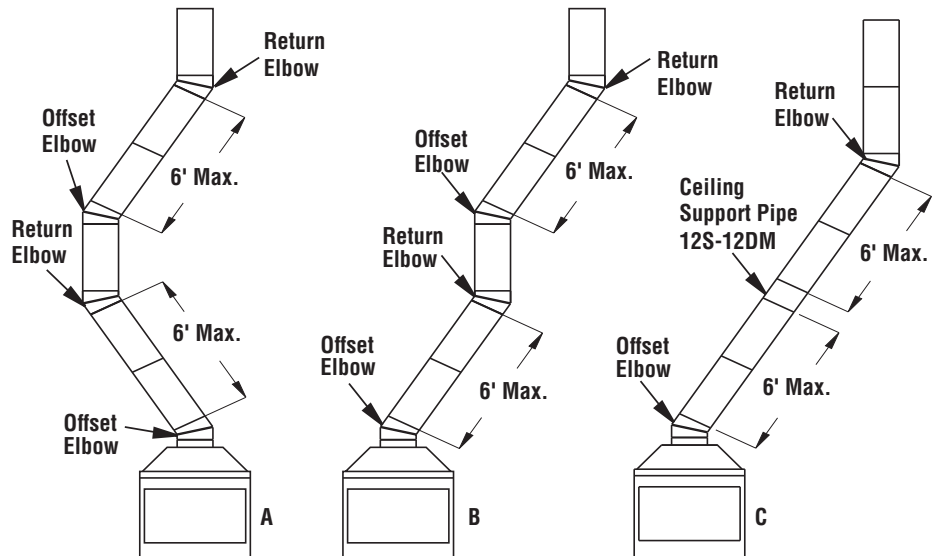
Mantel Clearances



Clearances

Venting

Uses Standard Wood-Burning Chimney (12DM)



Venting