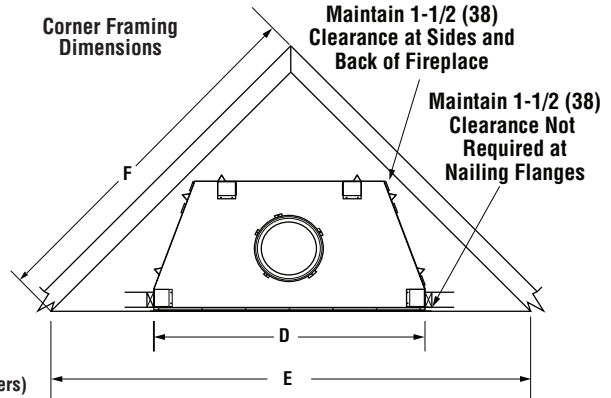
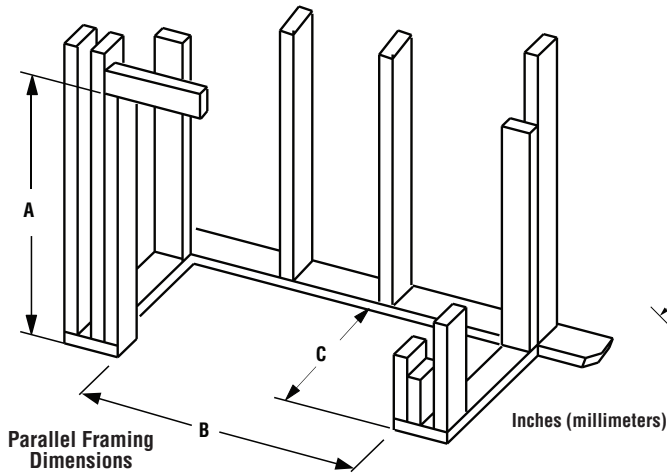


WRE6000 36/42/50 SERIES

OUTDOOR WOOD-BURNING FIREPLACES

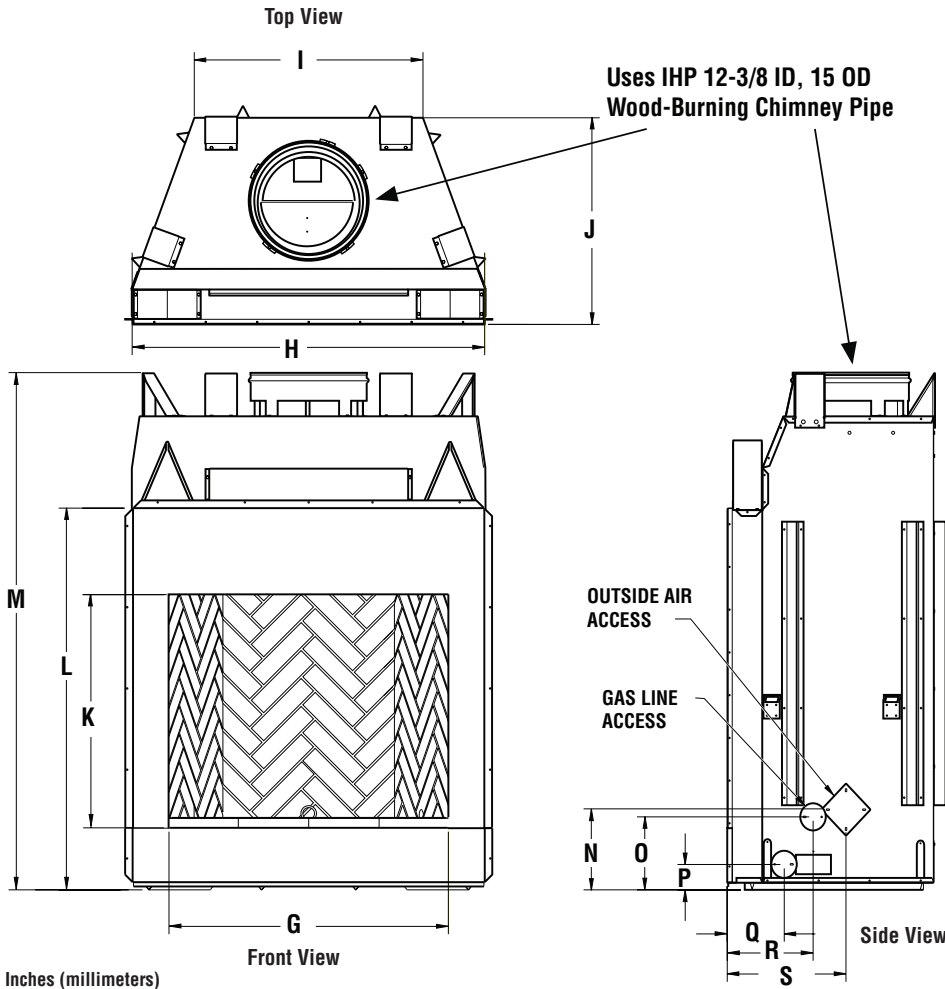
Framing Dimensions



	36" Models	42" Models	50" Models
A	67-1/8 (1705)	67-1/8 (1705)	67-1/8 (1705)
B	45-5/8 (1159)	51-5/8 (1312)	59-3/4 (1518)
C	28-1/4 (718)	30-1/8 (766)	30-1/8 (766)

	36" Models	42" Models	50" Models
D	45-1/4 (1150)	51-1/4 (1302)	59-1/4 (1505)
E	86-1/2 (2197)	92 (2337)	100 (2540)
F	61 (1550)	65 (1651)	71 (1804)

Fireplace Dimensions



	36" Model	42" Model	50" Model
G	36 (915)	42 (1067)	50 (1270)
H	45-1/8 (1147)	51-1/8 (1299)	59-1/4 (1505)
I	29 (737)	30-1/2 (775)	38-1/2 (978)
J	26-5/8 (677)	29 (737)	29 (737)
K	30 (762)	30 (762)	30 (762)
L	49 (1245)	49 (1245)	49 (1245)
M	67 (1702)	67 (1702)	67 (1702)
N	10-1/2 (267)	10-1/2 (267)	10-1/2 (267)
O	9-1/2 (242)	9-1/2 (242)	9-1/2 (242)
P	3-1/2 (89)	3-1/2 (89)	3-1/2 (89)
Q	7-1/4 (185)	8-1/2 (216)	8-1/2 (216)
R	11 (280)	13 (331)	13 (331)
S	15-1/4 (388)	17 (432)	17 (432)

WRE6000 36/42/50 SERIES

Product Information

Product Reference Information			
Cat. No.	Model	Shipping Weight	Shipping Volume
F0409	WRE6036RS	520 lb.	131.5 cu. ft.
F0410	WRE6036IS	520 lb.	131.5 cu. ft.
F0411	WRE6036RH	520 lb.	131.5 cu. ft.
F0412	WRE6036IH	520 lb.	131.5 cu. ft.
F0413	WRE6042RS	645 lb.	131.5 cu. ft.
F0414	WRE6042IS	645 lb.	131.5 cu. ft.

Product Reference Information			
Cat. No.	Model	Shipping Weight	Shipping Volume
F0415	WRE6042RH	645 lb.	131.5 cu. ft.
F0416	WRE6042IH	645 lb.	131.5 cu. ft.
F0417	WRE6050RS	710 lb.	131.5 cu. ft.
F0418	WRE6050IS	710 lb.	131.5 cu. ft.
F0419	WRE6050RH	710 lb.	131.5 cu. ft.
F0420	WRE6050IH	710 lb.	131.5 cu. ft.

Listing Information



Report No. F09-095

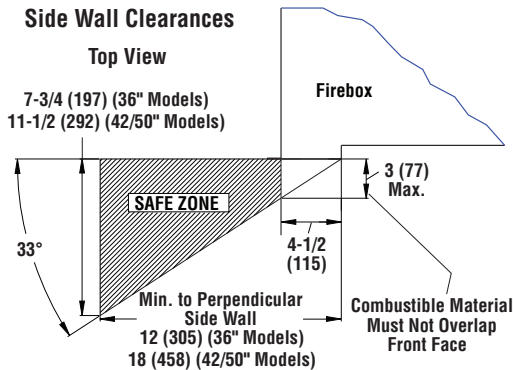
These fireplaces have been tested and approved by PFS Corporation under UL127/ULC-S610 standard as a Factory Built Appliance and may be used with gas logs approved to ANSI Z21.60, Z21.84 or Z21.11.2 standards.

Clearances

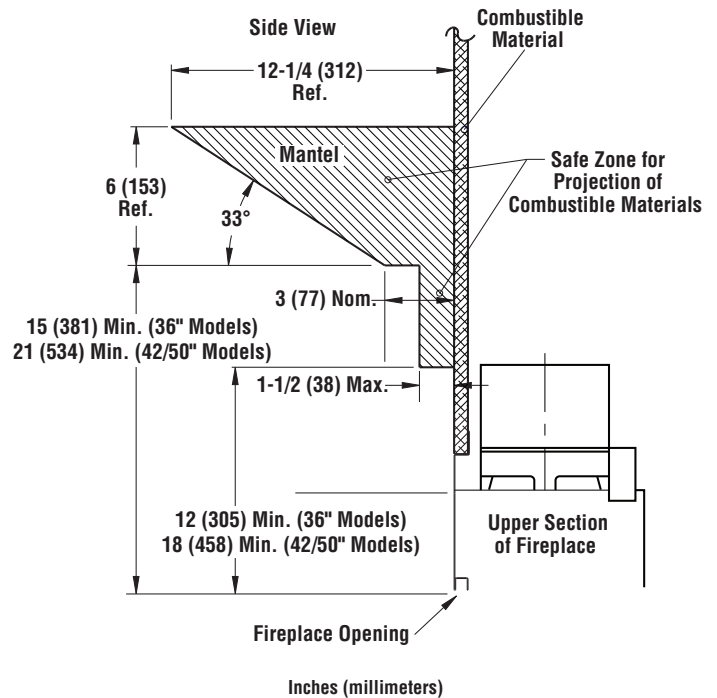
Clearances to Combustibles	
Description	Min. Clearance
Back and sides of fireplace	1-1/2 (38)*
Ceiling	42 (1067)
Front of fireplace	48 (1220)
Floor	0 (0)**
Perpendicular wall to opening (42" & 50" Models)	18 (458)
Perpendicular wall to opening (36" Models)	12 (305)
Top spacers	0 (0)
Chimney outer pipe surface (42" & 50" Models)	2 (51)
Chimney outer pipe surface (36" Models)	1 (26)

* Not required at nailing flanges

** See step 2 of Framing in the Installation and Operation Manual



Mantel Clearances



Venting

Venting
Uses Standard Wood-Burning Chimney (12DM)

