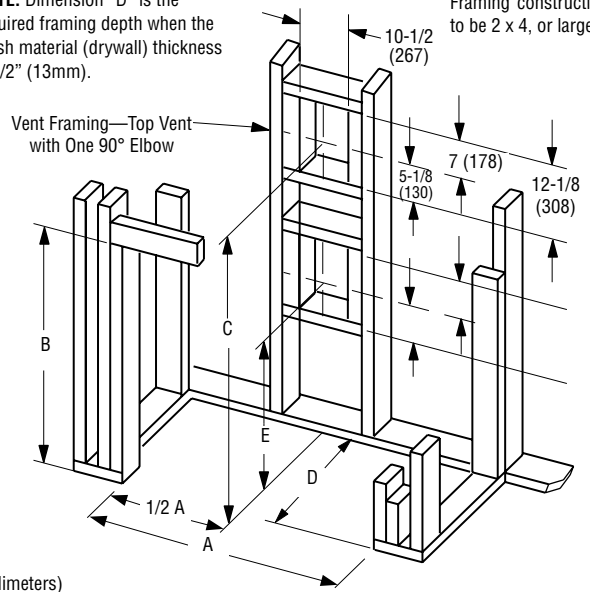
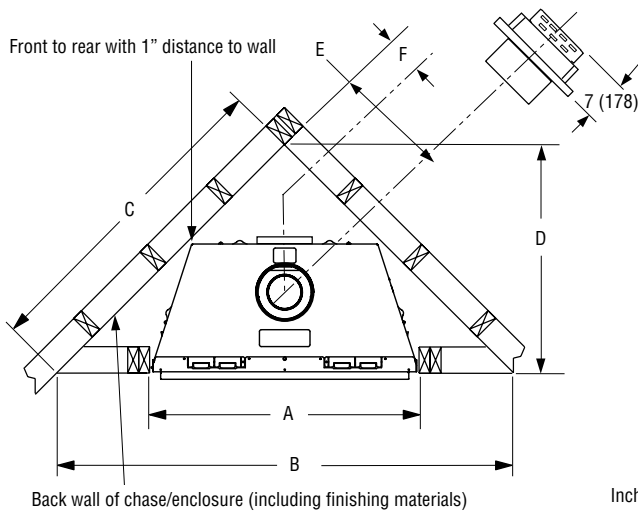


DRT3500 AND DRC3500 SERIES

DIRECT-VENT FIREPLACES

NOTE: Dimension "D" is the required framing depth when the finish material (drywall) thickness is 1/2" (13mm).

Framing construction to be 2 x 4, or larger.



C = Minimum height of top vent installations
E = Minimum height of rear vent installations

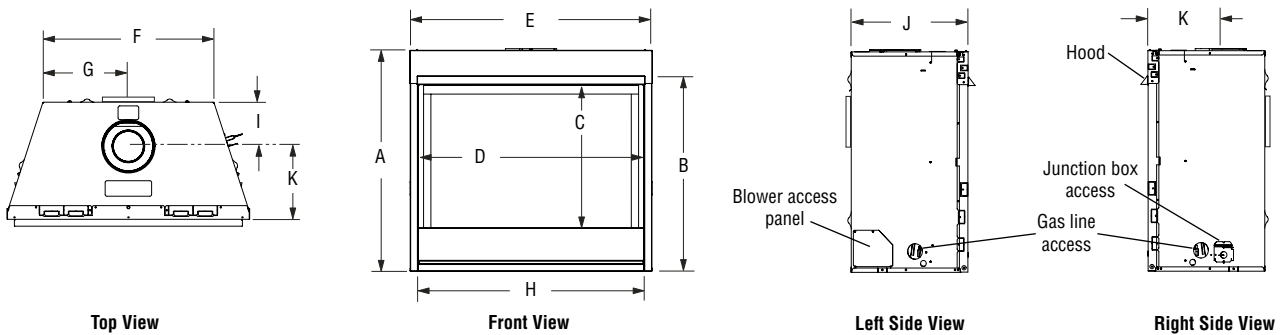
Model	A	B	C	D	E	F
35" Models	35-3/8 (899)	59-1/2 (1511)	42-1/8 (1070)	30-1/4 (768)	14-1/4 (362)	6-5/8 (168)
40" Models	40-3/8 (1026)	63-7/8 (1622)	45-3/8 (1153)	33-1/4 (845)	15-7/8 (403)	8-1/2 (216)
45" Models	45-3/8 (1153)	70-3/8 (1788)	49-3/4 (1264)	35-1/4 (895)	17-1/2 (445)	10-1/4 (260)

Model	A *	B	C	D	E
35" Models	35-3/8 (899)	36-1/4 (920)	38-3/4 (984)	18 (447)	23-3/8 (594)
40" Models	40-3/8 (1026)	41-1/4 (1148)	43-3/4 (1111)	18 (447)	28-1/4 (717)
45" Models	45-3/8 (1153)	41-1/4 (1148)	43-3/4 (1111)	18 (447)	28-1/4 (717)

*Minimum opening size; additional 1/8" per side is recommended.

NOTE: Framing specifications do NOT apply for flexible venting. When using flexible venting, refer to the kit requirements for framing specifications.

NOTE: When finishing the area around the hood, 5/8" clearance above hood is required for hood installation.



Inches (millimeters)

Model	A	B	C	D (door)	E	F	G	H	I	J	K
35" Models	32-1/8 (816)	28-3/4 (730)	22-1/4 (565)	32-3/8 (822)	35-1/4 (895)	25 (635)	12-1/2 (317)	32-7/8 (835)	6-7/8 (175)	17 (432)	10-1/8 (258)
40" Models	37-1/8 (943)	33-1/4 (845)	27-1/4 (692)	37-3/8 (949)	40-1/4 (1022)	30 (762)	15 (381)	37-7/8 (962)	6-7/8 (175)	17 (432)	10-1/8 (258)
45" Models	37-1/8 (943)	33-1/4 (845)	27-1/4 (692)	42-3/8 (1076)	45-1/4 (1149)	35 (889)	17-1/2 (445)	42-7/8 (1089)	6-7/8 (175)	17 (432)	10-1/8 (258)

NOTE: DIAGRAMS & ILLUSTRATIONS ARE NOT TO SCALE.

DRT3500 AND DRC3500 SERIES

Product Information

Cat. No.	Model	Weight	Cu. Ft.
F3003	DRT3535DEN-B	102 lb.	12.8
F3004	DRT3535DEP-B	102 lb.	12.8
F3005	DRT3540DEN-B	110 lb.	16.2
F3006	DRT3540DEP-B	110 lb.	16.2
F3007	DRT3545DEN-B	118 lb.	18.2
F3008	DRT3545DEP-B	118 lb.	18.2

Cat. No.	Model	Weight	Cu. Ft.
F2977	DRC3535DEN-B	102 lb.	12.8
F2978	DRC3535DEP-B	102 lb.	12.8
F2979	DRC3540DEN-B	110 lb.	16.2
F2980	DRC3540DEP-B	110 lb.	16.2
F2981	DRC3545DEN-B	118 lb.	18.2
F2982	DRC3545DEP-B	118 lb.	18.2

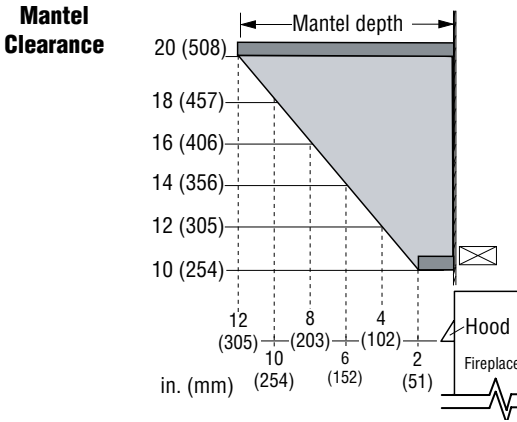
Listing Information



Report No. F13-094

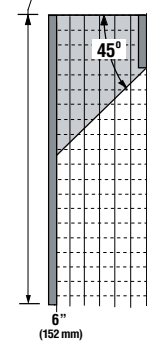
Listed by PFS Corporation to - ANSI Z21.88 (in Canada, CSA-2.33), and CAN/CGA-2.17-M91 in both USA and Canada, as a vented gas fireplace heater.

Clearances



Side Wall Clearance

At 6" minimum side wall clearance, a combustible wall can project to any length.



Top View of Fireplace

Combustible Materials Allowed In Shaded Area "Safe Zone"

Combustible Walls shown in dark gray

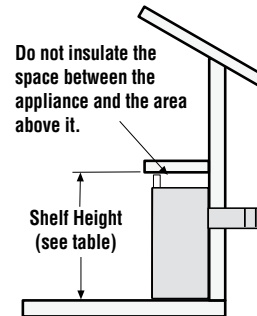
Combustible mantel legs may project beyond either side of the fireplace opening as long as they are kept within the shaded area illustrated here.

Shelf Height

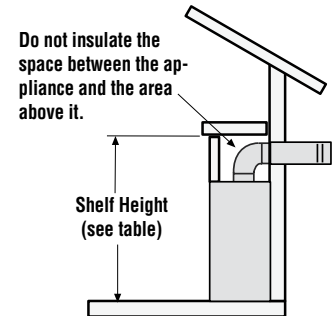
Model	Top Vent with one 90° Elbow		Alternative Rear Vent applications
	Secure Vent®	Secure Flex® (flex elbow)	Secure Vent®
35" Models	47" (1194 mm)*	49" (1245 mm)*	41" (1042 mm)**
40" Models	52" (1321 mm)*	54" (1372 mm)*	46" (1169 mm)**
45" Models	52" (1321 mm)*	54" (1372 mm)*	46" (1169 mm)**

* Includes 3" clearance to combustibles (required above vent components)
 ** In alternative, Rear Vent applications, Top Vent will be sealed as detailed in the Installation and Operation manual.

Specifications and clearances are subject to change without notice. Refer to Installation and Operation Manual before installation of these appliances for updated dimensions and instructions.

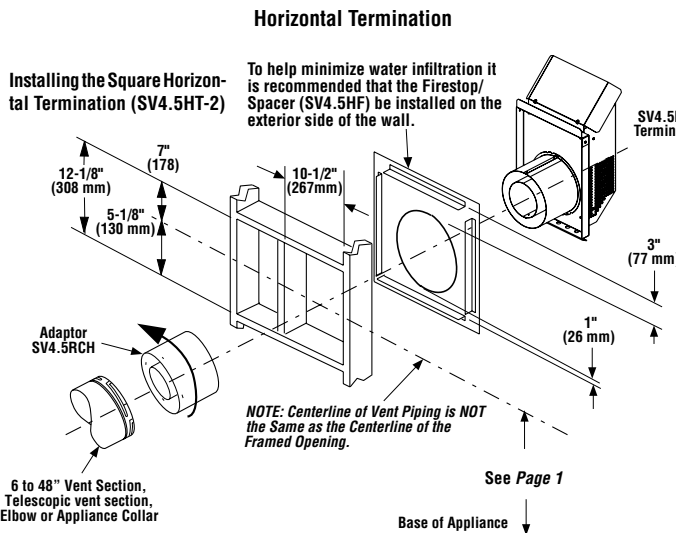


Shelf Above Fireplace With Rear Venting

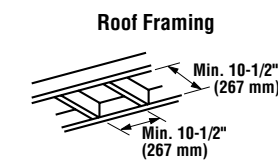
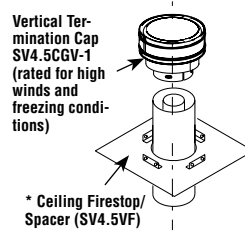


Shelf Above Fireplace With Top Venting

Venting



Vertical Termination



Uses 4.5" / 7.5" Secure Vent® Rigid and Secure Flex® Direct-Vent Components

Typical Installations

