

DRT4040/45

 CUSTOM SERIES DIRECT VENT GAS FIREPLACES

Superior
FIREPLACES®
Our name is our promise.



TRADITIONAL

The DRT4040/45 combines traditional fireplace style and exceptional value. Equipped with appealing standard features, the DRT4040/45 also allows simple versatility with a number of optional features. If a “superior” fireplace is what you seek, then the DRT4040/45 is the right choice.



FEATURED DRT4040 with black painted interior

EXCLUSIVE FEATURES

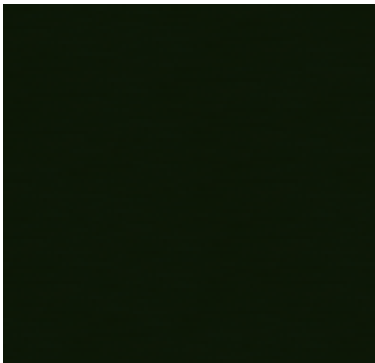
- 🔥 Available in 40" and 45" clean-faced models
- 🔥 Combo Top/Rear flue configuration
- 🔥 Millivolt or electronic ignition with seamless battery backup provides continue operation in the event of a power outage (IPI/CPI switch standard)
- 🔥 Standard tempered glass and 2015 ANSI barrier compliant
- 🔥 Beautifully crafted ceramic fiber logset with diamond shaped heavy-duty grate
- 🔥 Black painted interior (optional liners available)
- 🔥 Durable textured powder coat finish
- 🔥 Optional blower and remote control available for all models
- 🔥 20 year limited warranty



FEATURED DRT4045 with "aged oak" log set and impressive flame display

INTERIOR

Black Painted Interior standard or choose from two realistic refractory panels that deliver the true look of masonry craftsmanship.



Black Painted Interior (Standard)



Buff Rustic



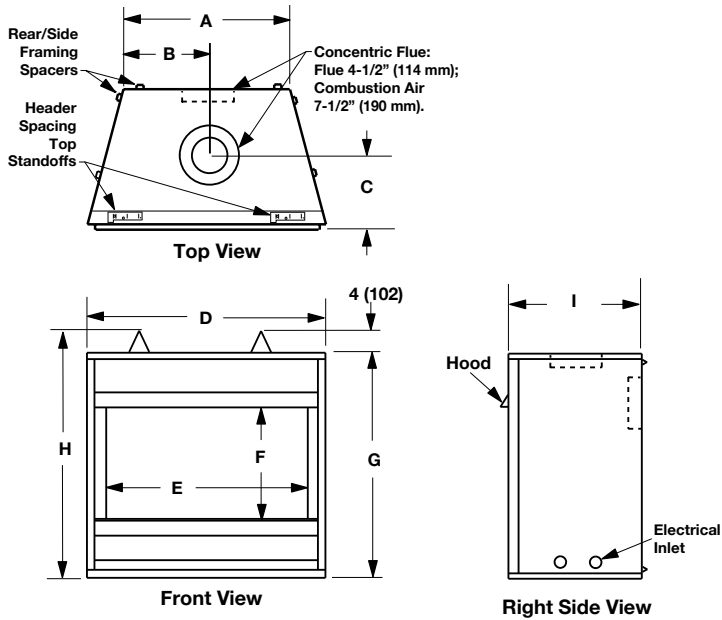
Buff Herringbone



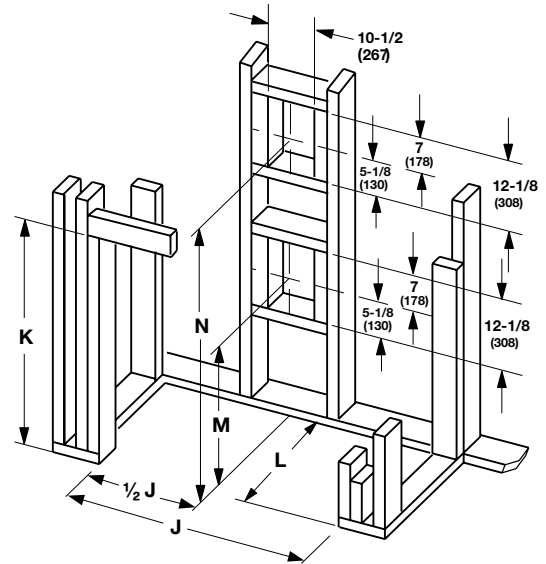
Optional touch remote

Black Painted Interior standard or choose from two realistic refractory panels that deliver the true look of masonry craftsmanship.

APPLIANCE SPECIFICATIONS



FLAT WALL FRAMING SPECIFICATIONS



	DRT4040	DRT4045
A	26-1/2"	31-1/2"
B	13-3/4"	15-3/4"
C	10-7/8"	10-7/8"
D	40-1/8"	45-1/8"
E	34-1/2"	39-1/2"
F	24"	24"
G	37-1/8"	37-1/8"
H	41-1/8"	41-1/8"
I	20-7/8"	20-7/8"

	DRT4040	DRT4045
J	40-3/8"	45-3/8"
K	41-1/4"	41-1/4"
L	24"	24"
M	27-1/2"	27-1/2"
N	43-5/8"	43-5/8"

FIREPLACE EFFICIENCIES — Listed to ANSI Z21.88 as a gas fireplace heater.

MODEL	FUEL	BTU/HR	AFUE**	P4 / ENERGYGUIDE*
DRT4040	NG	21,000-27,000	68%	58.15%
DRT4040	LP	21,000-27,000	67%	62.79%
DRT4045	NG	25,000-31,000	67%	57.84%
DRT4045	LP	23,000-29,000	72%	68.59%

On the Cover: DRT4040 with Buff Herringbone liner

IMPORTANT NOTES:

As with any fireplace, this appliance is extremely hot during operation. Read and understand all operating instructions before using this appliance. For further information, consult your dealer.

Local conditions, such as elevation, wind, vent configuration and choice of fuel will affect overall appearance of the fire and heating performance. Performance can also vary with home design and insulation, climate, condition and type of fuel used, appliance location, burn rate, accessories chosen, chimney installation and how the appliance is operated.

Diagrams, illustrations and photographs are not to scale—consult installation instructions. Product designs, materials, dimensions, specifications, colors and prices are subject to change or discontinuance without notice.

*Intermittent ignition systems.

**Annual Fuel Utilization Efficiency (AFUE) is the recognized U.S. rating system for the total efficiency of heating products.



Approved for use with European Copper and Chimney Classics chimney tops, which improve performance and add an elegant touch.



© 2015 Innovative Hearth Products

785627M 09/15

Visit us online



SuperiorFireplaces.us.com



Report #F14-170

