

VRT2536 (MH)

 VENT-FREE GAS FIREBOX & GAS LOGS

Superior[™]
FIREPLACES










Our name is our promise.



TRADITIONAL

This universal vent-free firebox offers a 24" tall opening in a clean-face, louverless look that complements current trends in home design.

FEATURES

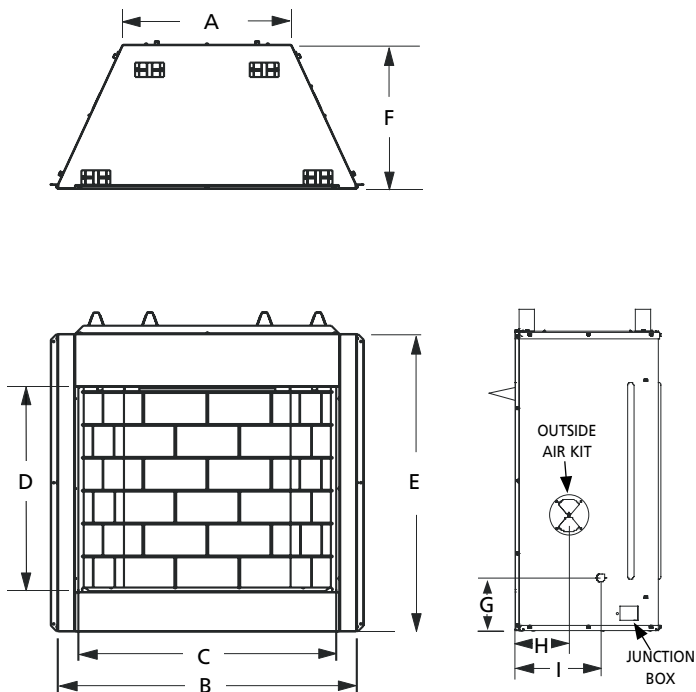
-  Available in a 36" radiant smooth-faced model
-  Tall 24" opening accepts most 18" or 24" vent-free gas logs
-  White stacked refractory panels (sides and back)
-  Standard heat deflection hood (required)
-  Includes mesh fire screens
-  Optional outside air kit
-  Optional blower (J-Box kit required)
-  Durable textured powder coat finish
-  20 year limited warranty

(Optional)



Crescent Hill log set LVD18/24CH

APPLIANCE SPECIFICATIONS



VRT2536

| | |
|---|-----------|
| A | 23-1/2" |
| B | 41-3/4" |
| C | 36" |
| D | 24" |
| E | 37-1/4" |
| F | 20" |
| G | 7-3/8" |
| H | 7-1/2" |
| I | 11-15/16" |

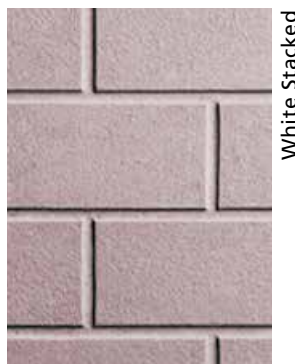
IMPORTANT NOTES:

As with any fireplace, this appliance is extremely hot during operation. Read and understand all operating instructions before using this appliance. For further information, consult your dealer.

Local conditions, such as elevation, wind, vent configuration and choice of fuel will affect overall appearance of the fire and heating performance. Performance can also vary with home design and insulation, climate, condition and type of fuel used, appliance location, burn rate, accessories chosen, chimney installation and how the appliance is operated.

Diagrams, illustrations and photographs are not to scale—consult installation instructions. Product designs, materials, dimensions, specifications, colors and prices are subject to change or discontinuance without notice.

INTERIOR PANEL



White Stacked

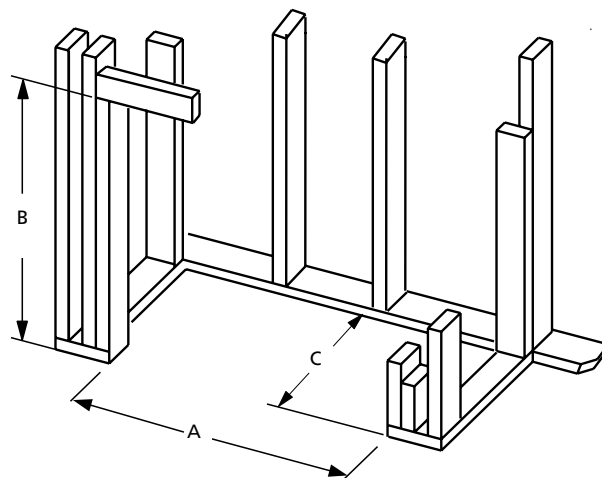
OPTIONAL ACCESSORIES

- A. Blower kits
- B. J-Box kit (required for use with optional blower)
- C. Outside air kits
- D. Vent-free gas logs

FRAMING SPECIFICATIONS

VRT2536

| | |
|---|---------|
| A | 42-1/4" |
| B | 40-1/4" |
| C | 20-1/2" |



Visit us online



SuperiorFireplaces.us.com



© 2014 Innovative Hearth Products
785588M 07/14

