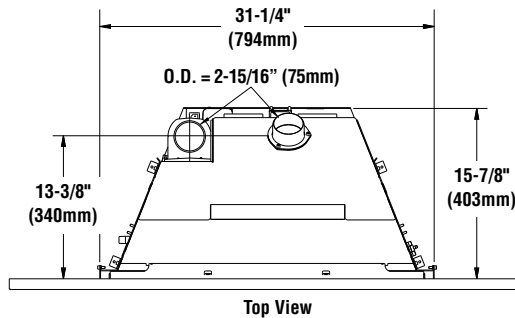


DRI3030TENC

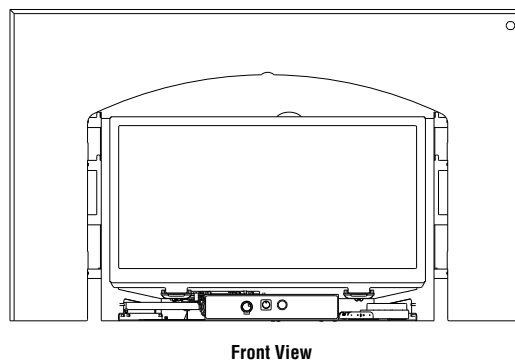
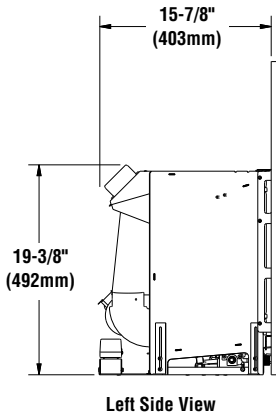
Appliance Specifications

DIRECT-VENT FIREPLACE INSERT



Input (BTU) - Electronic Models	
Fuel	DRI3030TENC
	Input Rate (BTU / HR)
Nat. Gas	32,000/21,000
LP Gas	27,000/21,000

Insert Dimensions



Insert Clearances

MINIMUM FIREPLACE SIZES REQUIRED

	RDV CD
Front Opening Width	31-1/2" (800mm)
Height	19-1/2" (495mm)
Rear Width	18" (457mm)
Depth	16" (406mm)

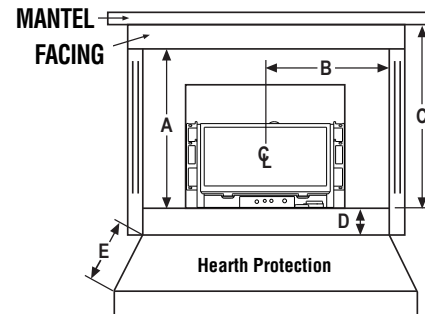
MINIMUM CLEARANCES TO COMBUSTIBLES

A = Top Facing to Bottom of Appliance	31-1/2" (800mm)
B = Side Facing or Side Wall to Center of Glass	25-1/2" (648mm)
C = 10.5" (267mm) Mantel to Bottom of Appliance	39" (991mm)

HEARTH PROTECTION

D = Vertical Distance from base of appliance to Hearth Extension	0" (0mm)	2" (51mm)	4" (102mm)
E = Minimum Horizontal Distance from Front of Appliance	13" (330mm)	10" (254mm)	0" (0mm)

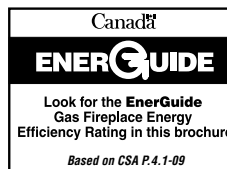
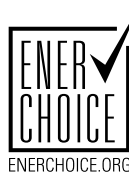
MINIMUM CLEARANCES



NOTE: Hearth protection to be min. 3/8" (10mm) thick non-combustible or equivalent, with a k factor of .84.

Listing Information

This appliance has been tested and certified to ANSI Z21.88/ CSA 2.33 Standard for Vented Gas Fireplace Heater and CAN/ CGA 2.17-M91 and UL 307B Gas Burning Heating Appliances for Manufactured (Mobile) Homes in both USA and Canada.



Efficiency	
DRI3030TENC	
EnerGuide P4	69% - NG 67% - LP

NOTE: Diagrams, illustrations and photographs are not to scale – consult installation instructions. Product designs, materials, dimensions, specifications, colors and prices are subject to change or discontinuance without notice.

DRI3030TENC

Product Reference Information			
Cat. No.	Description	Ship. Weight	Ship. Volume
F1789	DRI3030TENC	144 lb.	16.9 cu. ft.

Vent Kits

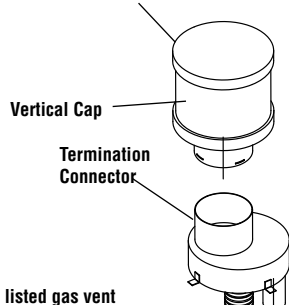
Simpson Dura Vent -

Flex Liner 3" X 35' - #3DFA-35

Adaptor w/ Flashing - #46DVA-GK

Termination Cap - #46DVA-VC

The standard cap in Termination Kit TKDVI, and in Vent Kit DV3FK35 is a high wind cap



Liner Requirements:

Use 3" (76 mm) diameter listed gas vent liner (UL1777 ONLY) for the EXHAUST

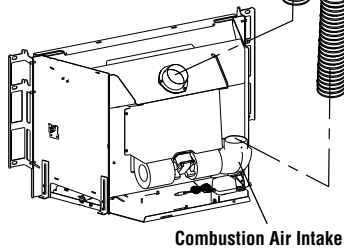
Use 3" (76 mm) diameter listed liner (UL 181 or UL1777) for the AIR INTAKE

Exhaust

Vertical Height Min. = 10 ft. (3.1 M)
Vertical height Max. = 35 ft. (10.7 M)
NOTE: Measured from flue collar on unit to the end of the vent pipe or liner

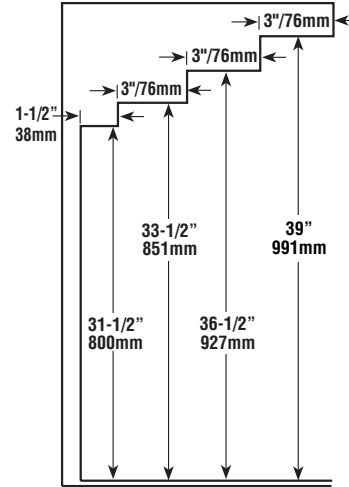
Intake

The flexible vent pipe must NOT be allowed to sag behind insert or in fireplace flue.



Typical Installation

Facing and Mantel Clearances



Options

Decorative Facade Kit (one required)

Contemporary Facade

Misc. Options

ZC Lower Finish Panel/Reg Face Support
ZC Front Support Extension

Surround Kits (one required)

- Traditional 1-pc. (41"W x 29"H)
- Traditional 3-pc. (41"W x 29"H, 48"W x 29"H, 41"W x 33"H or 48"W x 33"H)

Media Kits (one required)

Reflective Black
Reflective Blue
Platinum
Goldfinger
Copper

Standard Features

- Heavy, 14-gage aluminized steel firebox construction
- Approved for zero-clearance (metal) and masonry fireplaces
- Battery back-up in case of power outage
- Standard 155-CFM variable-speed blower delivers warm, consistent heat

The existing fireplace chimneys may take various contours which the flexible liners will accommodate. However, keep the flexible liner as STRAIGHT as possible, avoid unnecessary bending.