

DRI3030TENC

PRO SERIES GAS INSERTS



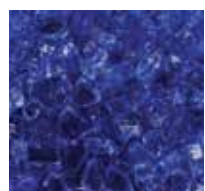
CONTEMPORARY

Convenience, sleek contemporary styling and efficient home heating come together in this gas fireplace insert.

FEATURES

- Available in a 32" circulating radiant model
- Approved for use with zero clearance and masonry fireplaces
- Gas controls are conveniently hidden at the bottom of the fireplace opening for easy installation and finishing
- Electronic ignition with IPI/CPI and battery backup to provide continued operation in the event of a power outage
- Pan burner with up to 32,000 BTU's
- Six flame settings with up to a 33% turn-down for precise heat control
- 69.2% AFUE/P4 heating efficiency
- Contemporary design features ceramic glass for optimum heat transfer
- Factory installed heat activated variable speed blower
- Black painted interior
- Full function remote control (T'stat, flame, blower)
- 20 year limited warranty

GLASS MEDIA OPTIONS (Required)



Reflective Blue



Copper



Reflective Black

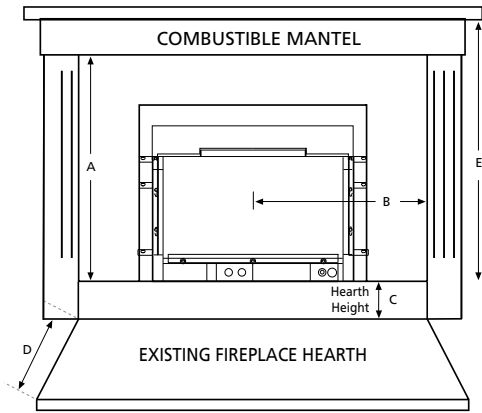


Goldfinger



Platinum

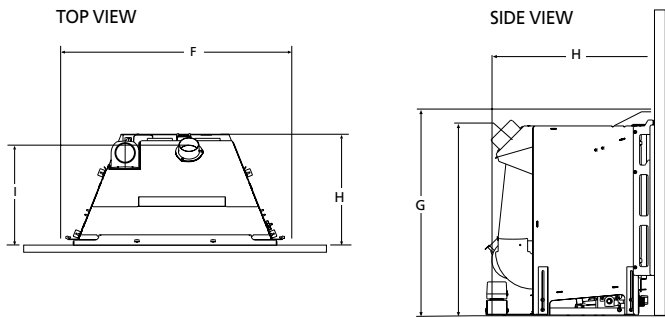
INSERT CLEARANCES



DRI3030TENC				
A	31-1/2"			
B	25-1/2"			
C	0" 2" 4"	HEIGHT TO FLOOR		
D	13" 10" 0"	HEARTH DEPTH		
E	39"			

Hearth protection to be a minimum of 3/8" thick non-combustible or equivalent, w/ a k factor of .84

INSERT DIMENSIONS



DRI3030TENC		
F	Front Width	31-1/4"
G	Overall Unit Height to Top of 3" Flue Collar	19-3/8"
H	Unit Depth	15-7/8"
I	Depth to Centerline of 3" Flue Collar	13-3/8"

*SQUARE-FOOT HEATING CAPACITIES ARE APPROXIMATIONS ONLY. ACTUAL PERFORMANCE MAY VARY DEPENDING UPON HOME DESIGN AND INSULATION, CEILING HEIGHTS, CLIMATE, APPLIANCE LOCATION, ACCESSORIES CHOSEN, CHIMNEY INSTALLATION AND HOW THE APPLIANCE IS OPERATED.

OPTIONAL ACCESSORIES

Facades (One required)
Black Reflective Porcelain Liners (Required)



Black Facade with Black Reflective Porcelain Liner



Mink Facade with Black Reflective Porcelain Liner



Proflame Remote (Standard)

ADDITIONAL ACCESSORIES

- A. Decorative Screen
- B. LP Gas Conversion Kits
- C. Surround Panel Kits
- D. Surround Trim Kits
- E. Zero Clearance Support Kit

MINIMUM FIREPLACE OPENING

DRI3030TENC	
FRONT WIDTH	31-1/2"
REAR WIDTH	18"
HEIGHT	19-1/2"
DEPTH	16"

INSERT SPECIFICATIONS

Heating Capacity*	900-2,000 sq. ft.	
Insert Weight	144 lbs.	
BTU Input	NG	21,000-32,000
	LP	21,000-27,000
AFUE/P4 Energuide	NG	69.20%
	LP	67.28%
Blower	155-CFM Variable-Speed Blower (standard)	
Vent Pipe	Colinear 3" Flex Vent	



© 2014 Innovative Hearth Products

785467M 07/14

Visit us online



SuperiorFireplaces.us.com

