

DRI3030TEN

PRO SERIES GAS INSERTS

**Superior**  
FIREPLACES  
*Our name is our promise.*

TRADITIONAL

The DRI3030TEN Direct Vent Gas Insert offers the convenience of gas, the look of a real wood fire and a variety of options to enhance any décor.

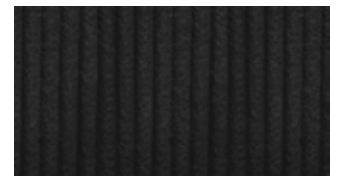
## FEATURES

- Available in a 32" circulating radiant model
- Approved for use with zero clearance and masonry fireplaces
- Gas controls are conveniently hidden at the bottom of the fireplace opening for easy installation and finishing
- Electronic ignition with IPI/CPI switch and battery backup to provide continued operation in the event of a power outage
- Pan burner with up to 40,000 BTU's (optional 33,000 BTU's available)
- Six flame settings with up to a 33% turn-down for precise heat control
- 67.2% AFUE/P4 heating efficiency
- Features ceramic glass for optimum heat transfer
- Detailed ceramic fiber logs with integrated log grate
- Factory installed heat activated variable speed blower
- Black painted interior
- Full function remote control (T'stat, flame, blower)
- 20 year limited warranty

## INTERIOR LINER OPTIONS (Required)



Tan Brick



Zen Garden

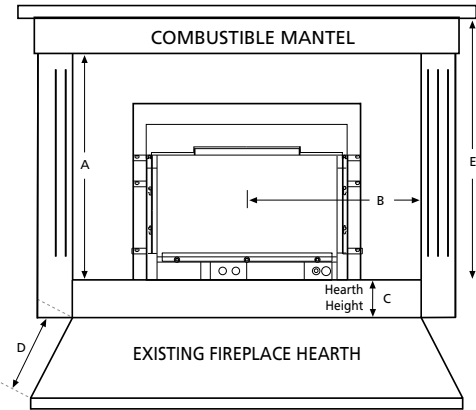


Red Brick



Architectural Stone

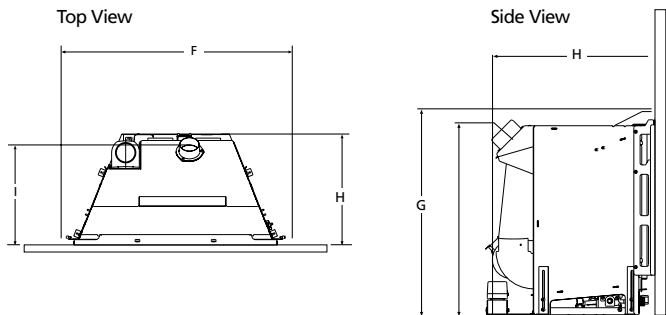
## INSERT CLEARANCES



|   | DRI3030TEN          |     | DRI3030TEN          |     |     |    |                 |
|---|---------------------|-----|---------------------|-----|-----|----|-----------------|
|   | 40,000 BTU Standard |     | 33,000 BTU Optional |     |     |    |                 |
| A | 35-1/2"             |     | 31-1/2"             |     |     |    |                 |
| B | 25-1/2"             |     | 25-1/2"             |     |     |    |                 |
| C | 0"                  | 2"  | 4"                  | 0"  | 2"  | 4" | HEIGHT TO FLOOR |
| D | 14"                 | 10" | 0"                  | 13" | 10" | 0" | HEARTH DEPTH    |
| E | 43"                 |     | 39"                 |     |     |    |                 |

Hearth protection to be a minimum of 3/8" thick non-combustible or equivalent, w/ a k factor of .84

## INSERT DIMENSIONS



|   | DRI3030TEN                                   |         |
|---|--|---------|
| F | Front Width                                  | 31-1/4" |
| G | Overall Unit Height to Top of 3" Flue Collar | 19-3/8" |
| H | Unit Depth                                   | 15-7/8" |
| I | Depth to Centerline of 3" Flue Collar        | 13-3/8" |

\*Square-foot heating capacities are approximations only. Actual performance may vary depending upon home design and insulation, ceiling heights, climate, appliance location, accessories chosen, chimney installation and how the appliance is operated.

## OPTIONAL ACCESSORIES

### Facades (One required)



Black Facade



Proflame Remote (Standard)



Mink Facade

## ADDITIONAL ACCESSORIES

- A. Decorative Screen
- B. LP Gas Conversion Kits
- C. Surround Panel Kits
- D. Surround Trim Kits
- E. Zero Clearance Support Kit

## MINIMUM FIREPLACE OPENING

|             | DRI3030TEN |
|-------------|------------|
| FRONT WIDTH | 31-1/2"    |
| REAR WIDTH  | 18"        |
| HEIGHT      | 19-1/2"    |
| DEPTH       | 16"        |

## INSERT SPECIFICATIONS

|                   |  | 40,000 BTU Unit   | 33,000 BTU Unit |
|-------------------|--|-------------------|-----------------|
| Heating Capacity* |  | 900-2,000 sq. ft. |                 |
| Insert Weight     |  | 144 lbs.          | 144 lbs.        |
| BTU Input         | NG                                       | 28,000-40,000     | 24,000-33,000   |
|                   | LP                                       | 26,000-37,500     | 24,000-33,000   |
| AFUE/P4 Energuide | NG                                       | 67.17%            | 65.55%          |
|                   | LP                                       | 69.07%            | 67.80%          |
| Blower            | 155-CFM Variable-Speed Blower (standard) |                   |                 |
| Vent Pipe         | Colinear 3" Flex Vent                    |                   |                 |

\*Square-foot heating capacities are approximations only. Actual performance may vary depending upon home design and insulation, ceiling heights, climate, appliance location, accessories chosen, chimney installation and how the appliance is operated.



© 2014 Innovative Hearth Products

785465M 07/14

Visit us online



SuperiorFireplaces.us.com

