

CIS VF

 MERIT SERIES VENT-FREE GAS STOVES











Superior[™]
FIREPLACES
Our name is our promise.



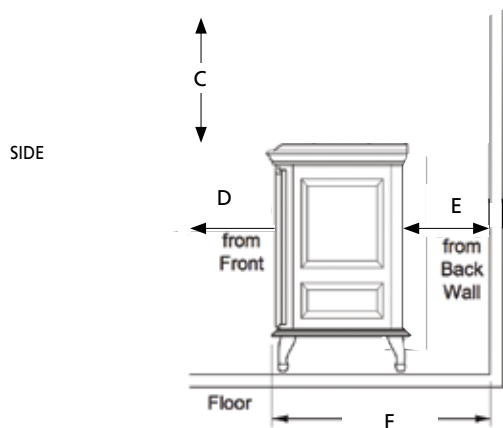
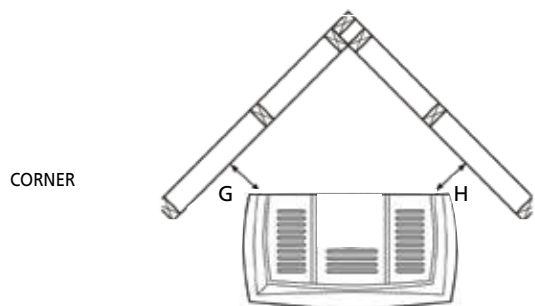
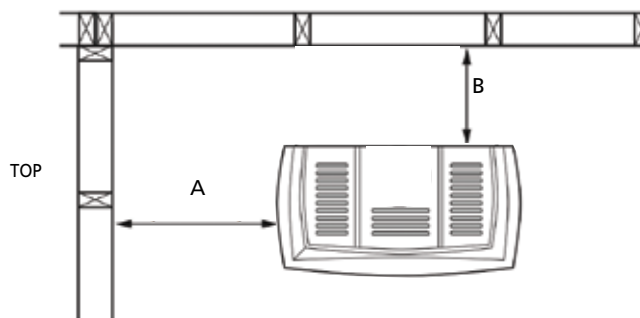
TRADITIONAL

With the classic look of a wood burning stove, the CIS VF cast iron stove provides the beauty, convenience, comfort and efficiency of a gas appliance.

FEATURES

-  Cast iron stove body available in a variety of colors to complement your decor
-  Combine a cast iron stove body with the vent-free burner system to complete the look (each sold separately)
-  Millivolt (Remote-ready) dual burner provides a beautiful warm fire
-  Gas controls are conveniently hidden at the bottom of the stove for easy access
-  Provides up to 35,000 BTU's
-  Cast iron stove body includes dual operating screen doors
-  Detailed ceramic fiber logs with integrated log grate
-  Black painted interior
-  Optional remote controls available
-  20 year limited warranty

STOVE CLEARANCES



CIS VF

A	12"
B	6"
C	48"
D	36"
E	6"
F	24-3/8"
G	6"
H	6"

*SQUARE-FOOT HEATING CAPACITIES ARE APPROXIMATIONS ONLY. ACTUAL PERFORMANCE MAY VARY DEPENDING UPON HOME DESIGN AND INSULATION, CEILING HEIGHTS, CLIMATE, APPLIANCE LOCATION, ACCESSORIES CHOSEN, AND HOW THE APPLIANCE IS OPERATED.

STOVE OPTIONS



Flat Black



Natural Iron



Aged Silver



Antique White



Wall Thermostat



Remote Control



Touch Screen Remote Control

STOVE DIMENSIONS

CIS VF

WIDTH	26-1/4"
HEIGHT	27"
DEPTH	18-3/8"

APPLIANCE BTU OPERATING INPUT

MODEL	FUEL	BTU/HR
SVYD18RNA	NG	24,000-35,000
SVYD18PRA	LP	21,000-31,000



© 2014 Innovative Hearth Products

785462M 07/14

Visit us online



SuperiorFireplaces.us.com

