

VRT/VCT4300 MULTI-VIEW SERIES

 CUSTOM SERIES VENT-FREE FIREBOXES

  
*Our name is our promise.*



**TRADITIONAL**

When the architecture demands something really creative, VRT/VCT4300 Series multi-view vent-free gas fireboxes provide the perfect solution. Offered in a two-sided see through or peninsula with companion multi-sided log set, these fireboxes deliver whatever the job requires.



**FEATURED** VRC43PF shown with White Stacked Refractory Panels and Multi-Sided Vent-Free Gas Log Set

## EXCLUSIVE FEATURES

- 🔥 See Through radiant smooth-faced or circulating louvered models
- 🔥 Peninsula circulating louvered model
- 🔥 Tall 20" opening
- 🔥 White stacked refractory panels (side(s) and back)
- 🔥 Standard heat deflection hood (required)
- 🔥 Includes mesh fire screens
- 🔥 Optional outside air kit
- 🔥 Optional blower (for use with louvered models)
- 🔥 Durable textured powder coat finish
- 🔥 20 year limited warranty



FEATURED VCT43ST with Multi-Sided Log Set

## INTERIOR PANEL

---

(Standard)



White Stacked

## VENT-FREE GAS LOG SETS

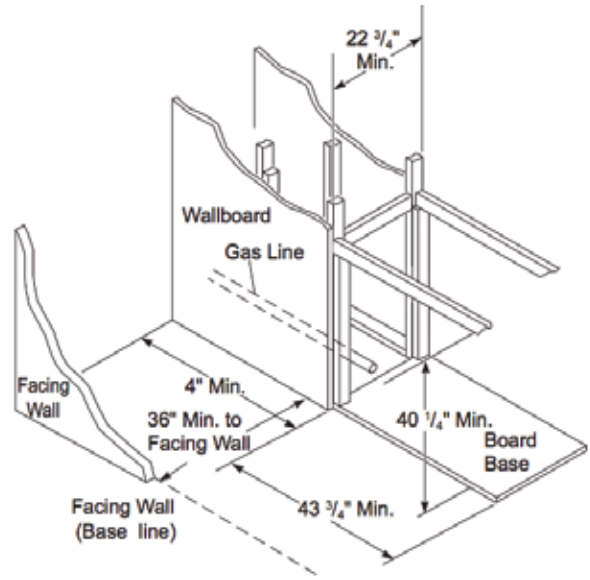
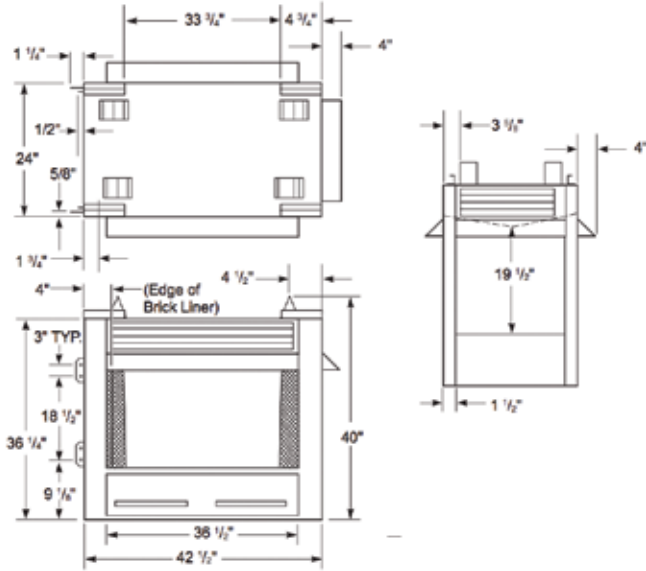
---

(Optional)

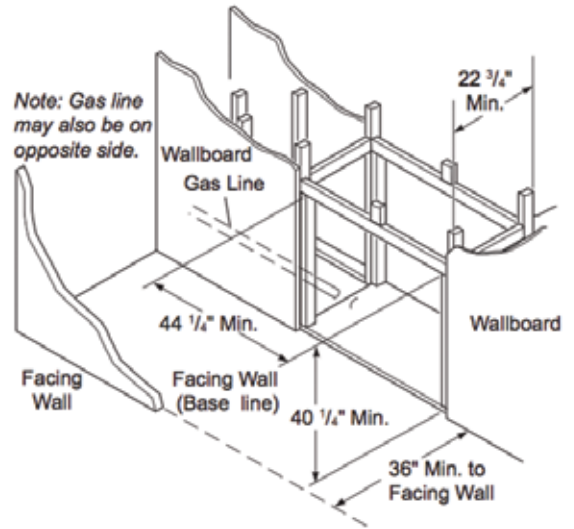
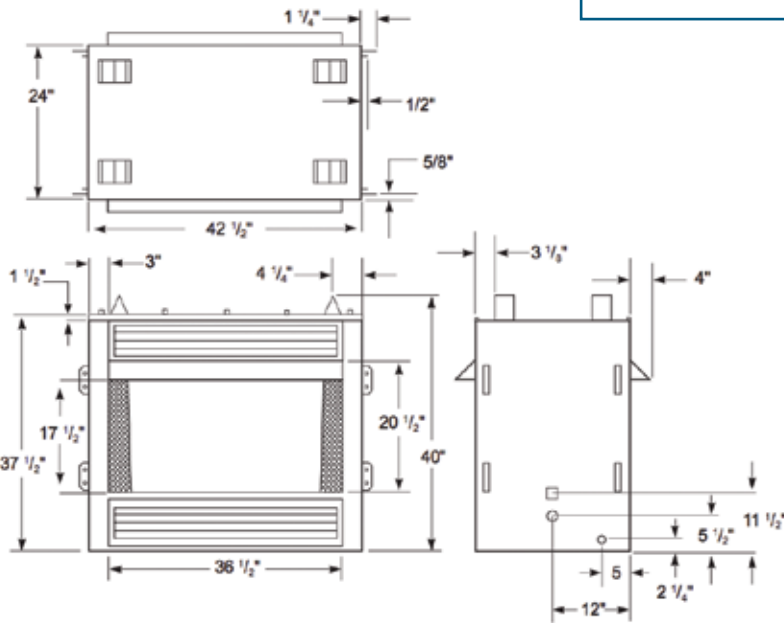


Pro Series Multi-Sided Logs FVFM27

PENINSULA



SEE THROUGH



**IMPORTANT NOTES:**

As with any heating appliance, fireplace or stove, this appliance is extremely hot during operation. Read and understand all operating instructions before using this appliance. For further information, consult your dealer.

Local conditions, such as elevation, wind, vent configuration and choice of fuel will affect overall appearance of the fire and heating performance. Performance can also vary with home design and insulation, climate, condition and type of fuel used, appliance location, burn rate, accessories chosen, chimney installation and how the appliance is operated.

Diagrams, illustrations and photographs are not to scale—consult installation instructions. Product designs, materials, dimensions, specifications, colors and prices are subject to change or discontinuance without notice.

**FRAMING SPECIFICATIONS**

	PENINSULA	SEE THROUGH
WIDTH	43-3/4"	44-1/4"
HEIGHT	40-1/4"	40-1/4"
DEPTH	22-3/4"	22-3/4"



© 2014 Innovative Hearth Products  
785454M 7/14

Visit us online



SuperiorFireplaces.us.com

