

DRL6500 SERIES

SIGNATURE SERIES DIRECT VENT GAS FIREPLACES

Superior[™]
FIREPLACES
Our name is our promise.



CONTEMPORARY

The DRL6500 Series direct vent gas fireplace is a contemporary linear design for a dramatic and sleek appearance. The expansive ceramic glass opening provides an exceptional view of the mesmerizing, rhythmic flames. The DRL6500 Series provides an elegant and sophisticated approach to any modern living area.



FEATURED DRL6554 shown Black Satin Bezel, Black Surround and Reflective Black Crushed Glass Media

EXCLUSIVE FEATURES

- 🔥 Available in 42" and 54" linear configured models
- 🔥 Gas controls are conveniently hidden in the fireplace floor
- 🔥 Electronic ignition with battery backup to operate in the event of a power outage
- 🔥 Exclusive Infini-Flame™ technology provides a continuous band of tranquil flames across the expansive viewing area
- 🔥 Six flame settings with up to a 30% turn down for precise heat control
- 🔥 70.2% industry leading AFUE
- 🔥 Clean-face design features ceramic glass for optimum heat transfer
- 🔥 Factory installed blower with six speed settings to fine tune your heating needs
- 🔥 Interior finish consists of reflective porcelain firebox floors, reflective porcelain panel kits and reflective black crushed glass media
- 🔥 Clean-faced trim kit or recessed surround with door bezel trim kit (surround and bezel must be ordered together)
- 🔥 Full function remote control (T'stat, flame, blower, IPI/CPI)
- 🔥 Power-vent kit available for all models (Natural Gas only)
- 🔥 20 year limited warranty



FEATURED DRL6500 Series and its impressive flame display with platinum crushed glass media

GLASS MEDIA OPTIONS

(Optional)

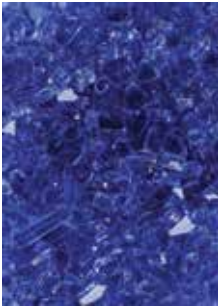
Choose from four different glass media options to complement your décor. (Reflective Black Media comes standard)



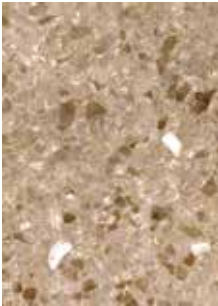
Reflective Black
(Standard)



Platinum



Reflective Blue



Goldfinger



Copper

SURROUND & BEZEL OPTIONS

(Optional-Requires Bezel Selection)

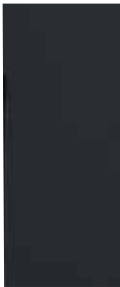
Add an optional surround and bezel to frame the view of the fire and to finish the exterior of your fireplace.

Surround



Black Satin
(painted)

Bezel

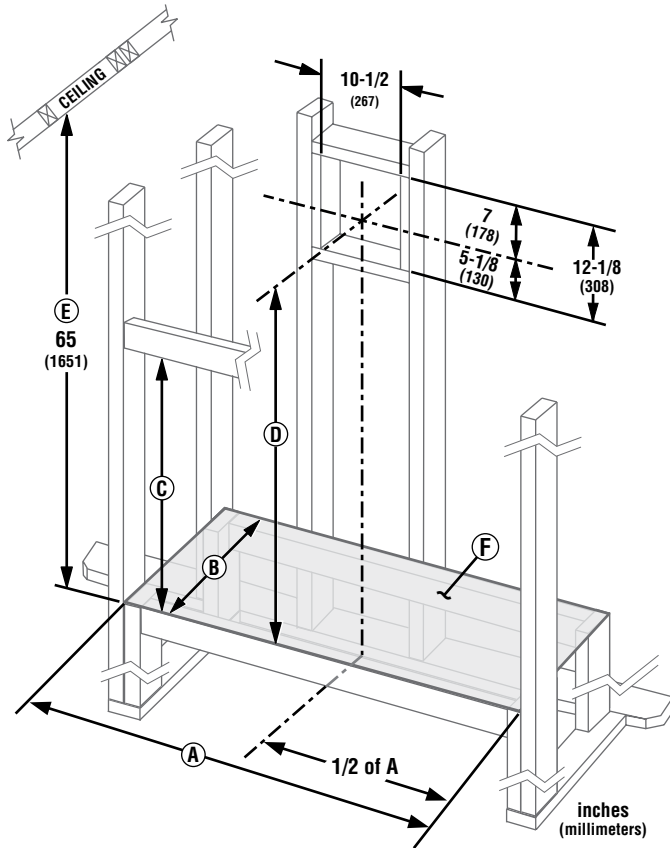


Black Satin
(painted)



Black Nickel
(plated)

FLAT WALL FRAMING SPECIFICATIONS



	DRL6542	DRL6554
A	53-3/4"	65-3/4"
B	18-1/2"	18-1/2"
C	42"	46-3/4"
D	50-3/8"	48-1/4"
E	Min. height from appliance base front to ceiling	
F	Mounting platform	



Approved for use with European Copper and Chimney Classics chimney tops, which improve performance and add an elegant touch.

On the cover: DRL6542 shown with Black Nickel Bezel, Black Satin Surround, and Reflective Black Crushed Glass Media

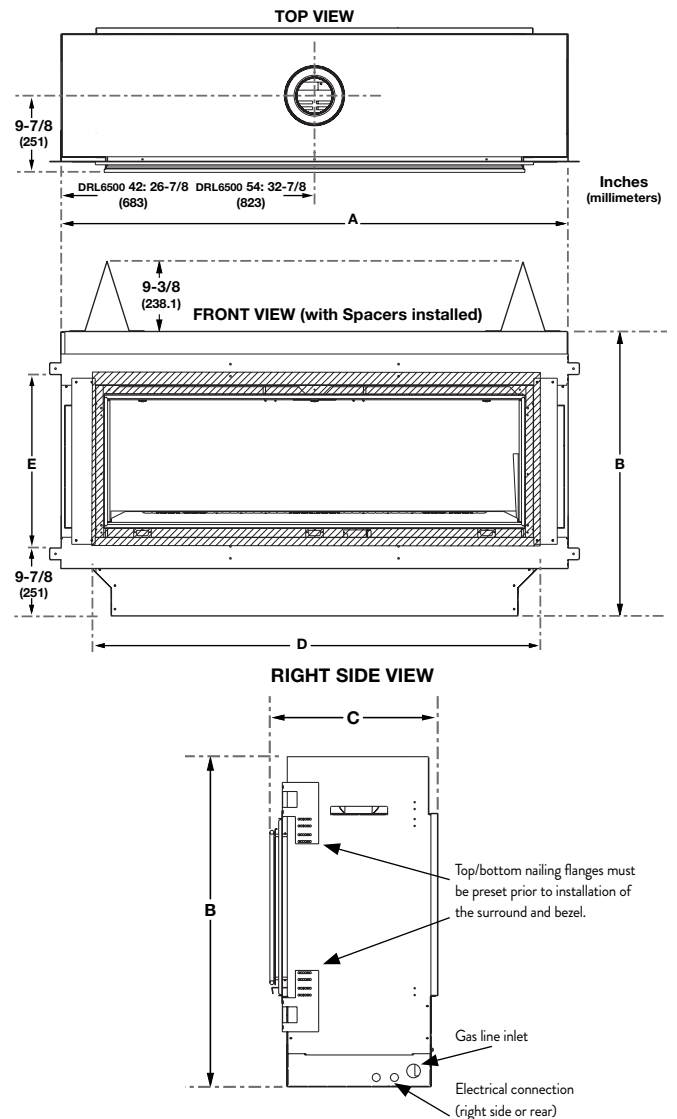
IMPORTANT NOTES:

As with any fireplace, this appliance is extremely hot during operation. Read and understand all operating instructions before using this appliance. For further information, consult your dealer.

Local conditions, such as elevation, wind, vent configuration and choice of fuel will affect overall appearance of the fire and heating performance. Performance can also vary with home design and insulation, climate, condition and type of fuel used, appliance location, burn rate, accessories chosen, chimney installation and how the appliance is operated.

Diagrams, illustrations and photographs are not to scale—consult installation instructions. Product designs, materials, dimensions, specifications, colors and prices are subject to change or discontinuance without notice.

APPLIANCE SPECIFICATIONS



	DRL6542	DRL6554
G	53-3/4"	65-3/4"
H	42"	46-3/4"
I	18-1/2"	18-1/2"
J	44"	56"
K	15-3/4"	19-3/4"

FIREPLACE EFFICIENCIES

MODEL	FUEL	BTU/HR	AFUE**	P4/ENERGUIDE*
DRL6542	NG	19,500-27,000	67%	61%
DRL6554	NG	26,000-37,000	70.2%	66.9%

*Intermittent ignition systems.

**Annual Fuel Utilization Efficiency (AFUE) is the recognized U.S. rating system for the total efficiency of heating products.



© 2014 Innovative Hearth Products

785420M 07/14

Visit us online



SuperiorFireplaces.us.com

